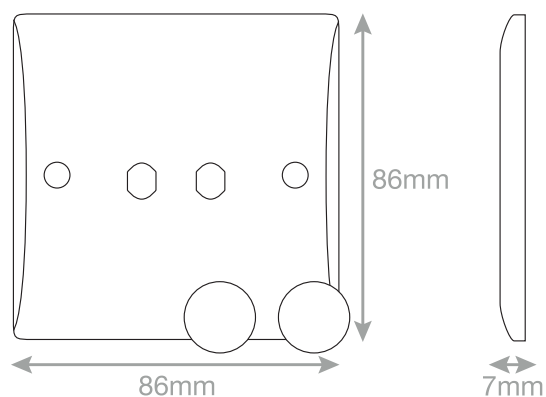


Data Sheet : SSL591



Code	SSL591
Description	Empty Dimmer Plate - 2 Aperture Plate with Knobs
Size	86mm x 86mm x 7mm depth
Range	Selectric Smooth
Colour	White
Material	Bakelite
Included	Fixing screws, nuts, washers, blanking caps & matching knobs
Weight	0.07kg
Inner Carton Quantity	10
Inner Carton Weight	0.7kg
Guarantee	30 years
Barcode	5025117006603
Commodity Code	85369085
Standards	BS 5733
Notes	<ul style="list-style-type: none">• Universal to any dimmer module• Minimum back box size required: 25mm depth