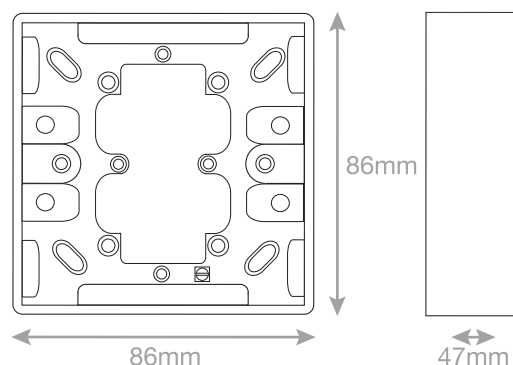


Data Sheet : SSL555



Electrical & Lighting Products



Code	SSL555
Description	1 Gang Surface Pattress Box - 47mm Deep
Size	86mm x 86mm x 47mm depth
Range	Selectric Smooth
Colour	White
Material	Urea
Weight	0.14kg
Inner Carton Quantity	10
Inner Carton Weight	1.4kg
Barcode	5025117987124
Commodity Code	85369085
Standards	BS 5733
Notes	<ul style="list-style-type: none">• With Earth terminal• Used for electrical accessories that sit on the surface of walls• The Pattress is screwed in place, and knockouts are provided for cable entry• Knockouts providing many mounting options