

MK SENTRY



Surface Metal Consumer Units and Enclosures



Description

MK Sentry Metal Consumer units and enclosures are designed on a modular basis, with 4 to 21 module enclosures in the range, to accommodate a wide variety of MK Sentry modular protection and control products. MK Sentry Metal Consumer units provide a housing with facility for earthing the metal box.

The enclosures are provided with ample wiring space and cable entry points.

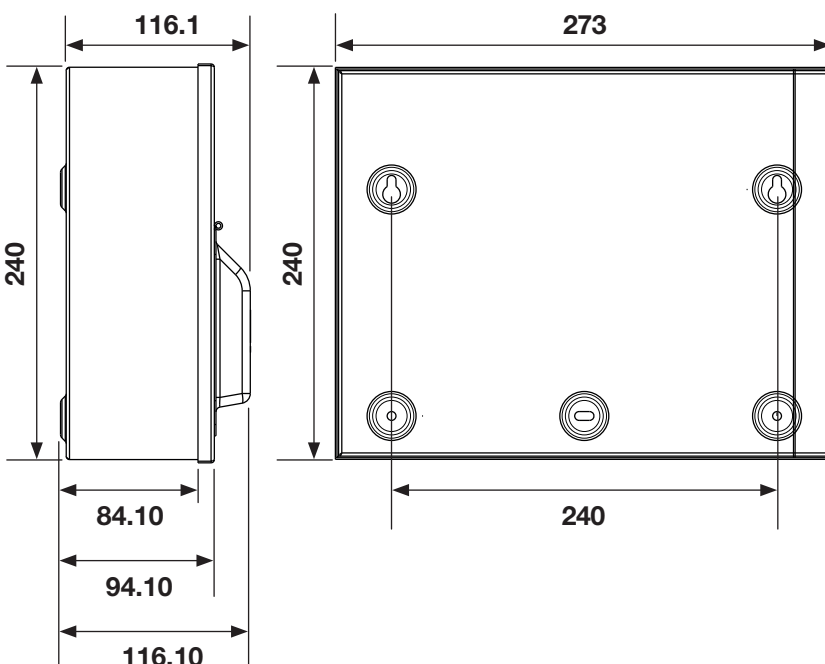
Specific consumer unit configurations have been designed to provide flexible solutions in meeting the requirements of BS7671 wiring regulations, with regards to RCD protection for circuits, cables and socket outlets. MK Sentry Metal Consumer units allow for protected and unprotected ways with the circuits being split across up to 2 RCDs, whilst the labelling sheet allows for full identification of all circuits.

All MK Sentry Metal Consumer units are colored in white (UV protected powder coated paint). Certain models are provided with a pre-assembled split load arrangement with switch and up to 2 RCDs. The range is complemented by a versatile selection of small four module enclosures suitable for housing RCDs or other combinations of Sentry products.

Standards and approvals

All MK Sentry consumer units are designed to fully comply with the requirements of BS EN 61439-3.

Dimensions (mm) Consumer unit



TECHNICAL SPECIFICATION

ELECTRICAL

MAXIMUM CURRENT RATING

All MK Sentry consumer units have a maximum rating of 100A except the 4 module range which is rated at 63A

PHYSICAL

TERMINAL CAPACITY

16mm² earth and neutral

IP RATING

Front face IP4X, IP3X sides

MAX. INSTALLATION ALTITUDE

2000 metres

POLLUTION DEGREE

2

RATED FREQUENCY

50Hz

RATED OPERATIONAL VOLTAGE

Consumer unit: 220-250V

RATED INSULATION VOLTAGE

Consumer unit: 300V

SHORT CIRCUIT WITHSTAND

16kA rms (based on the use of a BS 1361 Type 2 fuse of rating not exceeding 100A)

EARTHING SYSTEM

Suitable for use with TN-S, TN-C-S and TT systems

SPLIT LOAD

Split load units are supplied with a pre-fitted switch, RCD(s) and suitable cables

METAL CONSUMER UNITS

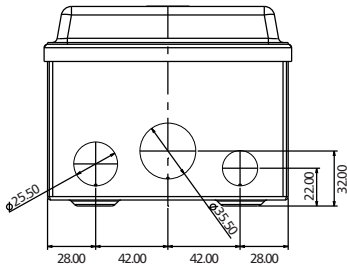
WAYS	DIMENSIONS		
	A	B	C
	OVERALL WIDTH	DISTANCE BETWEEN CENTRES OF FIXING HORIZONTAL	DISTANCE BETWEEN FIXING CENTRES VERTICALLY AS ORIENTATED IN THE DIAGRAMS
4	144	85	147
8	238	168	147
12	310	240	147
16	382	308	147
21	472	400	147

MK SENTRY

Surface Metal Consumer Units and Enclosures

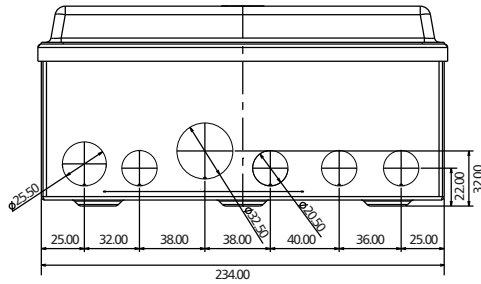
Dimensions (mm) Knockout

Y5604sMET



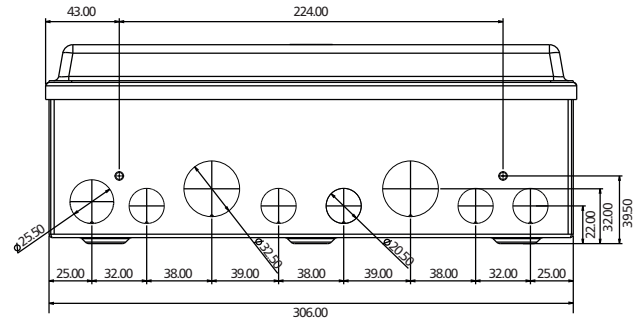
4Way

Y5608sMET



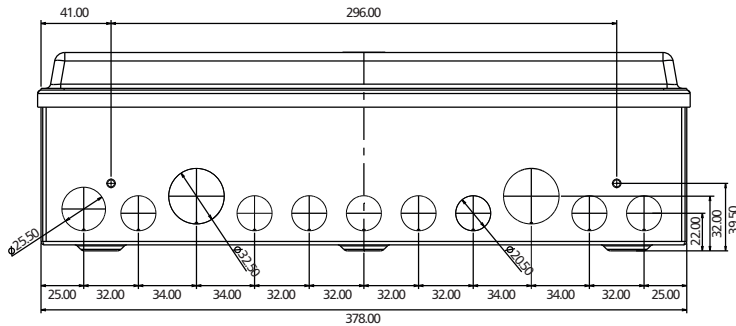
8Way

Y5612sMET



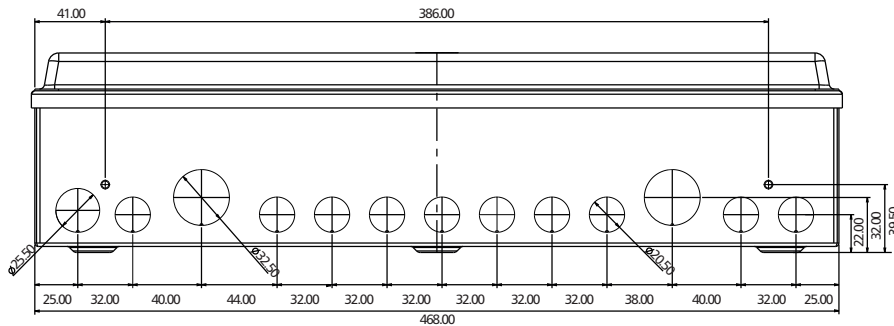
12Way

Y5616sMET



16 Way

Y5621sMET



21 Way

MK SENTRY

Surface Metal Consumer Units and Enclosures

Range

PART NUMBER	DESCRIPTION	WEIGHT (KG)
Y5604sMET	4 WAY ENCLOSURE	1.9
Y5608sMET	8 WAY ENCLOSURE	2.7
Y5612sMET	12 WAY ENCLOSURE	3.4
Y5616sMET	16 WAY ENCLOSURE	4.0
Y5621sMET	21 WAY ENCLOSURE	4.7
Y5704sMET	4 WAY ENCLOSURE WITH 100A SWITCH DISCONNECTOR	2.1
Y5708sMET	8 WAY ENCLOSURE WITH 100A SWITCH DISCONNECTOR	2.9
Y5712sMET	12 WAY ENCLOSURE WITH 100A SWITCH DISCONNECTOR	3.5
Y5716sMET	16 WAY ENCLOSURE WITH 100A SWITCH DISCONNECTOR	4.1
Y5721sMET	21 WAY ENCLOSURE WITH 100A SWITCH DISCONNECTOR	4.8
Y5682sMET	12 WAY ENCLOSURE WITH 100A SDC AND 63A RCD TYPE AC 30MA	3.9
Y5662sMET	12 WAY ENCLOSURE WITH 100A SDC AND 80A RCD TYPE AC 30MA	3.9
Y5685sMET	16 WAY ENCLOSURE WITH 100A SDC AND 80A RCD TYPE AC 30MA	4.5
Y5689sMET	16 WAY ENCLOSURE WITH 100A SDC AND 63A RCD TYPE AC 30MA	4.5
Y5684sMET	21 WAY ENCLOSURE WITH 100A SDC AND 80A RCD TYPE AC 30MA	5.3
Y5666sMET	16 WAY ENCLOSURE WITH 100A SDC AND 2X 63A RCD TYPE AC 30MA	4.8
Y5688sMET	16 WAY ENCLOSURE WITH 100A SDC AND 2X 80A RCD TYPE AC 30MA	4.8
Y5686sMET	16 WAY ENCLOSURE WITH 100A SDC AND 63A/80A RCD TYPE AC 30MA	4.8
Y5683sMET	21 WAY ENCLOSURE WITH 100A SDC AND 2X 63A RCD TYPE AC 30MA	5.7
Y5687sMET	21 WAY ENCLOSURE WITH 100A SDC AND 2X 80A RCD TYPE AC 30MA	5.6
Y5681sMET	21 WAY ENCLOSURE WITH 100A SDC AND 63A/80A RCD TYPE AC 30MA	5.6
Y6550sMET	4 WAY ENCLOSURE WITH 63A RCD TYPE AC 30MA SDC AND 6A/16A MCB B-CURVE	2.3
Y9550sMET	4 WAY ENCLOSURE WITH 80A RCD TYPE A 30MA SDC AND 6A/16A MCB B-CURVE	2.3
Y6551sMET	4 WAY ENCLOSURE WITH 63A RCD TYPE AC 30MA SDC AND 50A MCB B-CURVE	2.2
Y9551sMET	4 WAY ENCLOSURE WITH 80A RCD TYPE A 30MA SDC AND 50A MCB B-CURVE	2.2
Y6552sMET	8 WAY ENCLOSURE WITH 63A RCD TYPE AC 30MA SDC AND 6A(x3)/20A(x2)/ 16A MCB B-CURVE	3.56

PART NUMBER	DESCRIPTION	WEIGHT (KG)
Y9552sMET	8 WAY ENCLOSURE WITH 80A RCD TYPE A 30MA SDC AND 6A(x3)/20A(x2)/16A MCB B-CURVE	3.56
Y7663sMET	12 WAY ENCLOSURE WITH 100A SDC, 63A RCD TYPE 30MA, 6A(x2)/16A(x2)/32A (x2) MCB B-CURVE AND 6A/4A RCBO TYPE AC 30MA - B CURVE	4.5
Y7673sMET	12 WAY ENCLOSURE WITH 100A SDC AND 6A(x2)/16A/32A(x2)/40A RCBO TYPE AC 30MA - B CURVE	4.8
Y9673sMET	12 WAY ENCLOSURE WITH 100A SDC AND 6A(x2)/16A/32A(x2)/40A RCBO TYPE A 30MA - B CURVE	4.8
Y7664sMET	12 WAY ENCLOSURE WITH 100A SDC, 63A RCD TYPE 30MA (x2) AND 6A(x2)/16A/32A(x2)/40A MCB B CURVE	4.8
Y7665sMET	16 WAY ENCLOSURE WITH 100A SDC, 63A RCD TYPE 30MA (x2) & 6A(x2)/16A(x2)/32A(x3)/40A MCB B CURVE	5.7
Y7666sMET	16 WAY ENCLOSURE WITH 100A SDC, 63A RCD TYPE 30MA (x2) & 6A(x3)/16A(x2)/32A(x4)/40A MCB B CURVE	5.8
Y7678sMET	21 WAY ENCLOSURE WITH 100A SDC, 63A/80A RCD TYPE AC 30MA & 6A(x3)/16A(x2)/20A(x2)/32A(x4)/40A MCB B CURVE	6.9
Y8664sMET	12 WAY ENCLOSURE WITH 100A SDC, 100A RCD TYPE A 30MA (x2) TYPE A AND 6A(x2)/16A/32A(x2)/40A MCB B CURVE	4.9
Y8665sMET	16 WAY ENCLOSURE WITH 100A SDC, 100A RCD TYPE A 30MA (x2) TYPE A AND 6A(x2)/16A(x2)/32A(x3)/40A MCB B CURVE	5.7
Y8666sMET	16 WAY ENCLOSURE WITH 100A SDC, 100A RCD TYPE A 30MA (x2) TYPE A & 6A(x3)/16A(x2)/32A(x4)/40A MCB B CURVE	6.0
Y8678sMET	21 WAY ENCLOSURE WITH 100A SDC, 100A RCD TYPE A 30MA (x2) TYPE A & 6A(x3)/16A(x2)/20A(x2)32A(x4)/40A MCB B CURVE	6.9
YS5704sMET	4 WAY ENCLOSURE WITH 100A SWITCH DISCONNECTOR & SURGE DEVICE	2.1
YS5708sMET	8 WAY ENCLOSURE WITH 100A SWITCH DISCONNECTOR & SURGE DEVICE	3.2
YS5712sMET	12 WAY ENCLOSURE WITH 100A SWITCH DISCONNECTOR & SURGE DEVICE	3.8
YS5716sMET	16 WAY ENCLOSURE WITH 100A SWITCH DISCONNECTOR & SURGE DEVICE	4.0
YS5721sMET	21 WAY ENCLOSURE WITH 100A SWITCH DISCONNECTOR & SURGE DEVICE	4.7
YS8666sMET	16 WAY ENCLOSURE WITH 100A SDC, 100A RCD TYPE A 30MA (x2), 6A(x2)/16A(x2)/32A(x3)/40A MCB B-CURVE AND SURGE DEVICE	5.9
YS8678sMET	21 WAY ENCLOSURE WITH 100A SDC, 100A RCD TYPE A 30MA (x2), 6A(x3)/16A(x2)/20A(x2)/32A(x4)/40A MCB B CURVE & SURGE DEVICE	7.3