



POLO X

IP65 SLIM BULKHEAD



POLO X is the new, improved version of the popular POLO range. Featuring upgraded IP65 rating and UV stabilised construction as standard, suitable for outdoor as well as indoor applications.



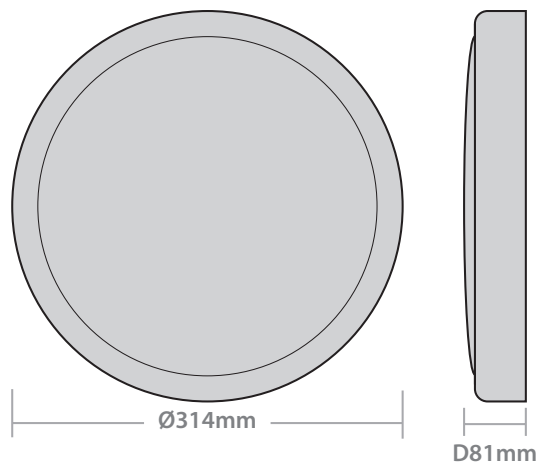
Features

- Stylish, sleek bulkhead
- UV stabilised - suitable for outdoor applications
- Excellent IP65 rating
- Aesthetically pleasing halo effect on mounting surface
- Emergency & microwave options

Specification

Material:	Polycarbonate body & diffuser
Colour Temperature:	4000K
Colour Finish	White
CRI	Ra>80
LED Lifetime:	L80B50 30,000 Hrs
IP Rating:	IP65
IK Rating:	IK08
Working Temperature:	-20°C to 40°C (Emergency versions 0°C to 40°C)
Power Factor:	0.75 / 0.85 / 0.9
Emergency Battery Type:	NiCd
Electrical Class:	Class II
Guarantee:	3 Years (Emergency batteries 1 year)

Dimensions

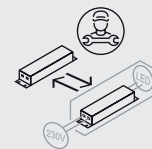
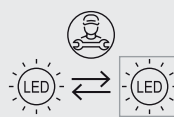
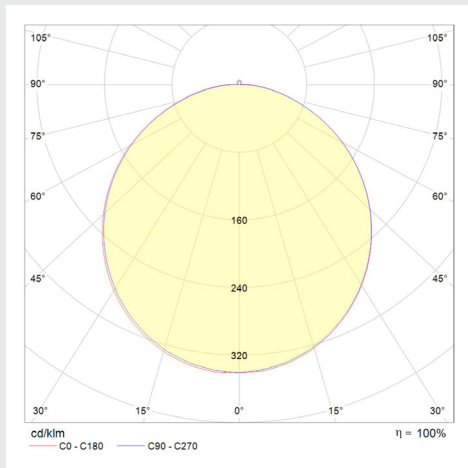


Product Code	Description	Sensor Type	Wattage	Lumen Output	Emergency Lumen Output	Efficacy	Power Factor	Net Weight (kg)	Barcodes
POLX13	POLO X Bulkhead	-	13W	1300 lm	-	100 lm/W	0.9	0.9	5055807622103
POLX13E	POLO X c/w 3HR Emergency	-	13W	1300 lm	145 lm	100 lm/W	0.9	1.05	5055807622110
POLX13/MS	POLO X	Microwave	13W	1300 lm	-	100 lm/W	0.85	1	5055807622127
POLX13/MSCF	POLO X	Microwave +CF	13W	1300 lm	-	100 lm/W	0.85	0.96	5055807622141
POLX13E/MS	POLO X c/w 3HR Emergency	Microwave	13W	1300 lm	145 lm	100 lm/W	0.75	1.15	5055807622134
POLX13E/MSCF	POLO X c/w 3HR Emergency	Microwave +CF	13W	1300 lm	145 lm	100 lm/W	0.75	1.12	5055807622158
POLX/B	POLO X Bulkhead Body Only	-	-	-	-	-	-	0.27	5055807622172
POLX13/CB	POLO X Chrome Bezel Attachment Only	-	-	-	-	-	-	0.15	5055807622165

Maximum Fittings Per Circuit

Automatic Circuit Breaker Type:	B6	B10	B13	B16	B20	C10	C13	C16	C20
Rated Current:	6A	10A	13A	16A	20A	10A	13A	16A	20A
Cable (mm):	1.5	1.5	1.5	1.5	1.5	1.5	1.5	1.5	2.5
POLX13	40	70	90	120	150	70	90	120	150
POLX13E	35	65	85	110	140	65	85	110	140
POLX13/MS	40	70	90	120	150	70	90	120	150
POLX13E/MS	35	65	85	110	140	65	85	110	140
POLX13/MSCF	40	70	90	120	150	70	90	120	150
POLX13E/MSCF	35	65	85	110	140	65	85	110	140

Light Distribution Curve



www.redarrowelectrical.co.uk