

# EAGLE-NVR-8-4TUR-8MP-1TB

8CH 4CAM 4K Turret



#### RECORDER FEATURES:

- H.265+/H.265 dual-stream video compression
- Supports HDCVI/AHD/TVI/CVBS/IP video inputs  
Max 80 Mbps Incoming Bandwidth
- Supports SMD, human face detection, IVS
- All-channel support HDCVI PoC AT & AF camera



#### CAMERA FEATURES:

- Max. 30fps@4K
- Built-in mic
- HD and SD output switchable
- 2.8mm fixed lens
- Max. IR length 30m, Smart IR
- IP67, POC/DC12V

# EAGLE-NVR-8-4TUR-8MP-1TB

## 8CH 4CAM 4K Turret



- 8MP, 1/2.7" CMOS image sensor, low illuminance, high image definition
- Outputs max. 8MP (3840 × 2160) @15 fps, and supports 2688×1520 (2688 × 1520) @25/30 fps
- H.265 codec, high compression rate, ultra-low bit rate
- Built-in IR LED, max IR distance: 30 m
- ROI, SMART H.264/H.265, flexible coding, applicable to various bandwidth and storage environments
- Rotation mode, WDR, 3D DNR, HLC, BLC, digital watermarking, applicable to various monitoring scenes
- Intelligent detection: Intrusion, tripwire
- Abnormality detection: Motion detection, video tampering, no SD card, SD card full, SD card error, network disconnection, IP conflict, illegal access, voltage detection
- Supports max. 256 GB Micro SD card, built-in MIC
- 12V DC/PoE power support
- IP67 protection



### System Overview

With upgraded H.265 encoding technology, this network camera has efficient video encoding capacity, which saves bandwidth and storage space. This camera adopts the latest starlight technology and displays better color image in the condition of low illumination. It supports SD card storage, dust-proof function, waterproof function and vandal-proof function, complying to the standards of IP67 and IK10 (Supported by some select models).

### Functions

#### Smart Codec

With advanced scene-adaptive rate control algorithm, the smart encoding technology provides a higher encoding efficiency and H.265+ and H.264, provide high quality video and reduce the storage and transmission.

#### WDR

With advanced Wide Dynamic Range (WDR) technology, this network camera provides clear details in the environment of strong brightness contrast. The bright and dark area can get clear video even in high brightness environment or with backlight shadow.

#### Starlight

Starlight technology mainly applies to the environment of low illuminance, and it can provide clear colorful video. Even in the environment of ultra-low illuminance, the technology can guarantee the good image effect.

#### IVS

With advanced video algorithm, IVS technology supports intelligent functions, such as tripwire and intrusion.

#### Protection (IP67, wide voltage)

IP67: The camera passes a series of strict test on dust and soak. It has dust-proof function, and the enclosure can work normal after soaking in 1 m deep water for 30 minutes.

Wide voltage: The camera allows ±30% input voltage tolerance (wide voltage range), and it is widely applied to outdoor environment with instable voltage.

## Technical Specification

### Camera

Image Sensor	1/2.7" 8Megapixel progressive CMOS
Effective Pixels	3840 (H) × 2160 (V)
ROM	128 MB
RAM	256 MB
Scanning System	Progressive
Electronic Shutter Speed	Auto/Manual 1/3 s–1/100,000 s
Min. Illumination	0.009 Lux@F2.0
IR Distance	30 m (98.43 ft)
IR On/Off Control	Auto/Manual
IR LEDs Number	2
Pan/Tilt/Rotation Range	Pan: 0°–360° Tilt: 0°–78° Rotation: 0°–360°

### Lens

Lens Type	Fixed-focal				
Mount Type	M12				
Focal Length	2.8 mm				
Max. Aperture	F2.0 F2.0				
Field of View	2.8 mm: Pan 105° × Tilt 56° × Diagonal 125° 3.6 mm: Pan 87° × Tilt 47° × Diagonal 104°				
Iris Type	Fixed				
Close Focus Distance	2.8 mm: 1.0 m (3.3 ft) 3.6 mm: 1.9 m (6.2 ft)				
DORI Distance	Lens	Detect	Observe	Recognize	Identify
	2.8 mm	74.7 m (245.1 ft)	29.9 m (98.1 ft)	14.9 m (48.9 ft)	7.5 m (24.6 ft)
	3.6 mm	106.7 m (350.1 ft)	42.7 m (140.1 ft)	21.3 m (69.6 ft)	10.7 m (35.1 ft)

### Smart event

General IVS Analytics	Tripwire; intrusion
-----------------------	---------------------

### Video

Video Compression	H.265; H.264; H.264B; MJPEG
Smart Codec	Yes
Video Frame Rate	Main stream: 3840 × 2160 (1 fps–15 fps) 2688 × 1520 (1 fps–25/30 fps) Sub stream: 704 × 576 (1 fps–25 fps) 704 × 480 (1 fps–30 fps)
Stream Capability	2 streams

Resolution	3840 × 2160 (3840 × 2160); 3072 × 2048 (3072 × 2048); 3072 × 1728 (3072 × 1728); 2592 × 1944 (2592 × 1944); 2688 × 1520 (2688 × 1520); 3M (2048 × 1536); 2304 × 1296 (2304 × 1296); 1080p (1920 × 1080); 1.3M (1280 × 960); 720p (1280 × 720); D1 (704 × 576/704 × 480); VGA (640 × 480); CIF (352 × 288/352 × 240)
Bit Rate Control	CBR/VBR
Video Bit Rate	H.264: 32 Kbps–8192 Kbps H.265: 12 Kbps–8192 Kbps
Day/Night	Auto(ICR)/Color/B/W
BLC	Yes
HLC	Yes
WDR	120 dB
White Balance	Auto/natural/street lamp/outdoor/manual/regional custom
Gain Control	Auto/Manual
Noise Reduction	3D DNR
Motion Detection	OFF/ON (4 areas, rectangular)
Region of Interest(Rol)	Yes (4 areas)
Smart IR	Yes
Image Rotation	0°/90°/180°/270° (Supports 90°/270° with 2688 × 1520 resolution and lower.)
Mirror	Yes
Privacy Masking	4 areas

### Audio

Built-in MIC	Yes
Audio Compression	G.711A; G.711Mu; G.726; AAC

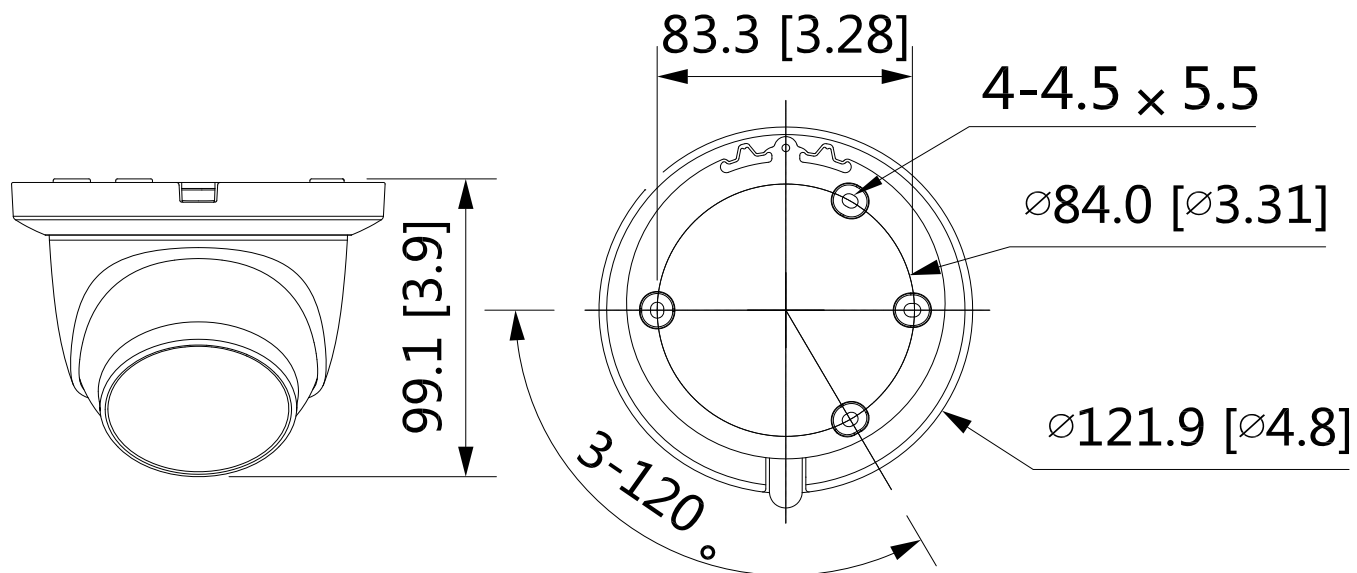
### Network

Network	RJ-45 (10/100 Base-T)
Protocol	IPv4; IPv6; HTTP; HTTPS; TCP; UDP; ARP; RTP; RTSP; RTCP; RTMP; SMTP; FTP; SFTP; DHCP; DNS; DDNS; QoS; UPnP; NTP; Multicast; ICMP; IGMP; NFS; PPPoE; 802.1x; Bonjour
Interoperability	ONVIF(Profile S/Profile G/Profile T); CGI; P2P; Milestone; Genetec
User/Host	20
Edge Storage	Dahua Cloud; FTP; SFTP; Micro SD Card (support max. 256 GB); NAS
Browser	IE Chrome Firefox
Management Software	Smart PSS; DSS; DMSS
Mobile Phone	iOS; Android

### Certification

Certifications	CE-LVD: EN60950-1 CE-EMC: Electromagnetic Compatibility Directive 2014/30/EU FCC: 47 CFR FCC Part 15, Subpart B
----------------	-----------------------------------------------------------------------------------------------------------------------

## Dimensions (mm)

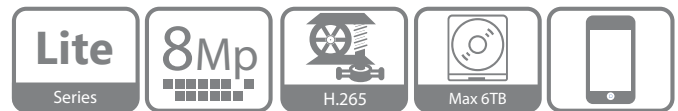


# EAGLE-NVR-8-4TUR-8MP-1TB

## 8CH 4CAM 4K Turret



- H.265/H.264 codec decoding
- Max 80Mbps incoming bandwidth
- Up to 8Mp resolution preview&playback
- Up to 1ch@8MP/4ch@1080P decoding
- HDMI/VGA simultaneous video output
- Support IPC UPnP, 8PoE ports



### System Overview

This system is capable of transmitting 8MP image. It helps to save up to 50% HDD and storage space with its H.265 decoding technology compared with H.264.

Due to its cost-effective and easy-to-install design, this NVR is ideal for a wide range of applications such as home safety, grocery, warehouse, education, and financial institutions.

The NVR is compatible with numerous third-party devices making it the perfect solution for surveillance systems that work independently of video management system (VMS). It features an open architecture that supports for multi-user access and is compatible with ONVIF 2.4 protocol, enabling interoperability with IP cameras.

### Functions

#### 4K Resolution

4K resolution is a revolutionary breakthrough in image processing technology. 4K delivers four times the resolution of standard HDTV 1080p cameras and offers superior picture quality and image details. 4K resolution improves the clarity of a magnified scene to view or record crisp forensic video from large areas.

#### High Efficiency Video Coding (H.265)

The H.265 (ITU-T VCEG) video compression standard offers double the data compression ratio at the same level of video quality, or substantially improved video quality at the same bit rate, as compared to older video compression technologies. H.265 offers such impressive compression by expanding the pattern comparison and difference-coding, improving motion vector prediction and motion region merging, and incorporating an additional filtering step called sample-adaptive offset filtering.

#### Automatic Network Replenishment (ANR) Technology

Network Video Recorders with the ANR function automatically store video data on an IP camera SD card when the network is disconnected. After recovery of the network, the NVR automatically retrieves the video data stored on the camera.

## Technical Specification

System	
Main Processor	Dual-core embedded processor
Operating System	Embedded LINUX
Audio and Video	
IP Camera Input	8 Channel
Two-way Talk	1 Channel Input, 1 Channel Output, RCA
Display	
Interface	1 HDMI, 1 VGA
Resolution	HDMI: 3840×2160, 1920×1080, 1280×1024, 1280×720
	VGA: 1920×1080, 1280×1024, 1280×720
Decoding Capacity	1ch@8MP 30fps, 4ch@1080P 30fps
Multi-screen Display	1/4/8/9
OSD	Camera title, Time, Camera lock, Motion detection, Recording
Recording	
Compression	H.265/H.264
Resolution	8MP/6MP/5MP/4MP/3MP/1080P/720P/D1&etc.
Record Rate	80Mbps
Bit Rate	16Kbps ~ 20Mbps Per Channel
Record Mode	Manual, Schedule(Regular(Continuous), MD, Stop
Record Interval	1~120 min (default: 60 min), Pre-record: 1~30 sec, Post-record: 10~300 sec
Video Detection and Alarm	
Trigger Events	Recording, PTZ, Tour, Video Push, Snapshot, and Screen Tips
Video Detection	Motion Detection, MD Zones: 396 (22 × 18), and Tampering
Alarm input	N/A
Relay Output	N/A
Playback and Backup	
Sync Playback	1/4
Search Mode	Time /Date, MD and Exact Search (accurate to second)
Playback Function	Play, Pause, Stop, Rewind, Fast play, Slow Play, Next File, Previous File, Next Camera, Previous Camera, Full Screen, Shuffle, Backup Selection, Digital Zoom
Backup Mode	USB Device/Network

## Third-party Support

Third-party Support	Arecont Vision, AXIS, Bosch, Brickcom, Canon, CP Plus, Dynacolor, Honeywell, Panasonic, Pelco, Samsung, Sanyo, Sony, Videotec, and more
---------------------	-----------------------------------------------------------------------------------------------------------------------------------------

## Network

Interface	1 RJ-45 port (10/100/1000Mbps)
PoE	8 ports (IEEE802.3at/af)
Network Function	HTTP/HTTPS, TCP/IP, IPv4/IPv6, RTSP, UDP, NTP, DHCP, DNS, IP Filter, DDNS, IP Search(Support Dahua IP camera, DVR, NVS and etc.), Easy4ip
Optical Fiber Interface	N/A
Max. User Access	128 users
Smart Phone	iPhone, iPad, Android
Interoperability	ONVIF 2.4, SDK, CGI

## Storage

Internal HDD	1 SATA III Port, up to 6TB capacity for each HDD
HDD Mode	Single
eSATA	N/A

## Auxiliary Interface

USB	2 ports (1 Rear USB2.0, 1 Front USB2.0)
RS232	N/A
RS485	N/A

## Electrical

Power Supply	Single, DC48V/2A
Power Consumption	NVR: <5.8W (without HDD)
	PoE: Max 25.5w for single port, 80w in total

## Environmental

Operating Conditions	-10°C ~ +55°C (+14°F ~ +131°F), 86 ~ 106kpa
Storage Conditions	-20°C ~ +70°C (-4°F ~ +158°F), 0 ~ 90% RH

## Construction

Dimensions(W×D×H)	Compact 1U, 260mm×224.9mm×47.6mm (10.2" x 8.9" x 1.9")
Net Weight	0.8kg (1.76 lb) (without HDD)
Gross Weight	1.6kg(3.53 lb)(without HDD)

## Certifications

CE	EN55032, EN55024, EN50130-4, EN60950-1
FCC	Part 15 Subpart B, ANSI C63.4-2014
UL	UL60950-1

Dimensions (mm)

