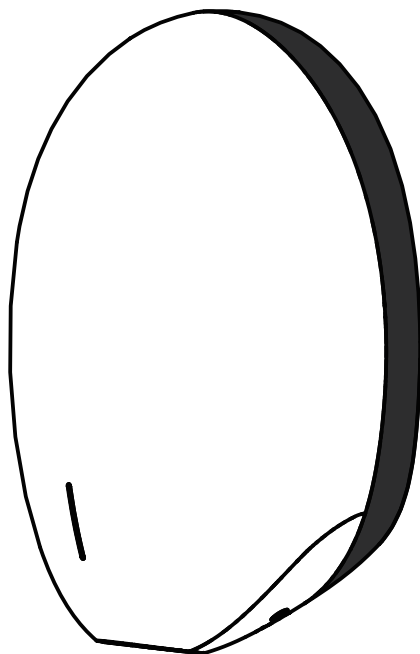




# Pebble

Plug & Play

## User Manual



**Everything Hand Dryers<sup>®</sup>**

## TECHNICAL SPECIFICATIONS

Item Category	Performance Data
Operating Voltage	AC 220-240V, 50/60 Hz, 300W (No Heat) / 700W (Heat)
Standby Power	≤0.5 W
Warm Air Speed Output	96 m/s
Motor Type	Brushless DC Motor, 30,000 RPM
Sensor Type	Auto Infrared touch free operation
Sensor Range	45° 10~20cm
Timing Protection	50 seconds auto shut off
Drying Time	10 ~ 12 sec
Drip Proof	IPX3
Isolation	CLASS I
Unit Size	H 322.1mm x W 270.5mm x D 144.6mm

## IMPORTANT SAFETY INSTRUCTIONS



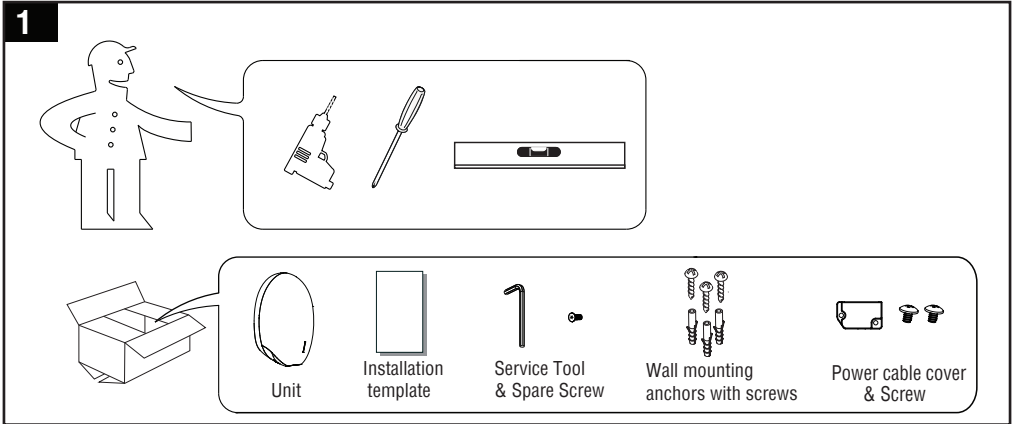
**WARNING – TO REDUCE THE RISK OF FIRE, ELECTRIC SHOCK, OR INJURY TO PERSONS OBSERVE THE FOLLOWING:**

- Use this unit only in the manner intended by the manufacturer. Manufacturer is not responsible for damages caused by misuses or defective installations.
- The instructions contained within the installation Template enclosed must be followed carefully when installing this unit. Failure to accurately follow the instructions may result in the incorrect operation of this unit, damage to property and/or personal injury.
- Installation work and electrical wiring must be done by qualified person(s) in accordance with all applicable codes and standards, including fire-rated construction.
- When cutting or drilling into wall or ceiling, do not damage electrical wiring and other hidden utilities.
- This unit must be powered by a dedicated circuit branch protected by a circuit breaker with the appropriate rating. Circuit cable must be fit current consumption for this unit.
- This unit has been designed for indoor use only, protect from water, sun and extreme temperatures, do not install it outdoors or close to moisture and heat generators.
- This unit can only be revised, maintained, repaired and removed by qualified person(s).
- If the unit stops and works strangely, contact your regional dealer or contractor.
- This appliance can be used by children aged from 8 years and above and persons with reduced physical, sensory or mental capabilities or lack of experience and knowledge if they have been given supervision or instruction concerning use of the appliance in a safe way and understand the hazards involved. Do not allow children to play with the appliance or carry out cleaning and user maintenance on this hand dryer. If the supply cord is damaged, it must be replaced by the manufacturer, its service agent or similarly qualified persons in order to avoid a hazard.

# UNPACKING

1. Remove all packing material. Recycling is recommended.
2. Carefully remove the hand dryer from the shipping carton, using care not to drop the appliance.
3. Inspect carefully for any damage that may have occurred during transit. Check for any loose, missing or damaged parts. If the hand dryer is damaged, promptly inform the shipper or dealer where you purchased it.

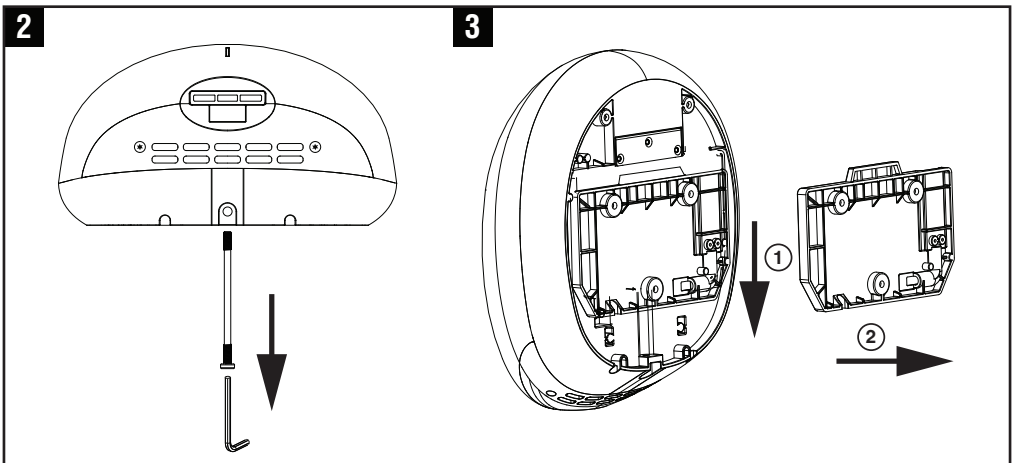
Standard items with the hand dryer are shown in Fig.1 together with tools need by the installer.



# INSTALLATION

## 1. Wall bracket removal

- 1.1 Place the appliance on a cloth to avoid marking its surface.
- 1.2 Remove the one security screw seated on the bottom surface of the unit, using the service tool (fig.2).
- 1.3 Pull down the wall mounting bracket and remove from the unit (fig.3).

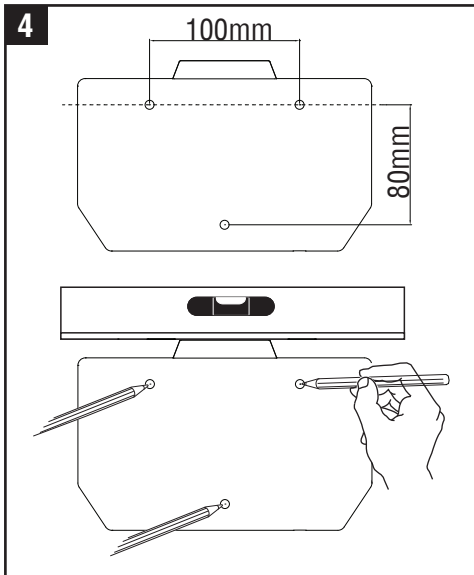


## CAUTION

- Make sure power supply breaker is switched off.
- Check that the electrical supply corresponds to that shown on the rating plate. If the unit is connected to any electrical supply other than stated on the rating plate of the unit, permanent damage or unsafe operation of the unit may result.
- The unit must be mounted on a flat vertical wall capable of supporting the full weight of the unit.

## 2. Positioning

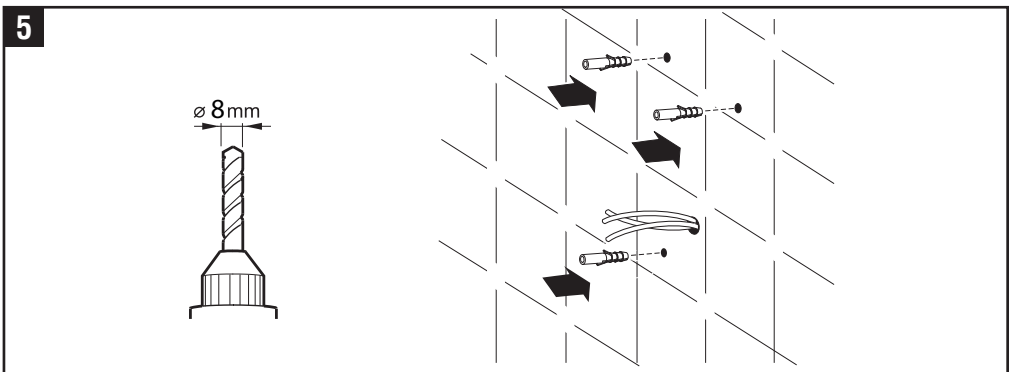
2.1 Mark the location on the wall with a pencil. Use the Installation Template to mark the locations for the three fixing points (fig. 4).



Recommended height measurements form the floor to top screws

Installation target	Height
Adult male	1400mm
Adult female	1365mm
Children 5-8 years old	1028mm
Children 8-11 years old	1128mm
Children 11-14 years old	1208mm
Wheelchair user	1150mm

2.2 Pre-drill the wall in the marked locations using 5/16" (8mm) drill, insert the plastic anchors and tap flush to the wall. If the cable entry is to be done from the wall provide a proper cable exit (fig. 5)



### 3. Installing Power cable & Connection terminal block

**WARNING: ENSURE POWER NOT CONNECTED**

3.1 Pull the cable through the hole in the wall mounting bracket. Ensure the cable is long enough to route correctly through the wall mounting bracket to the terminal block (fig. 6).

3.2 The cable must sit in the dedicated channel.

3.3 As shown, connect cable to terminal block.

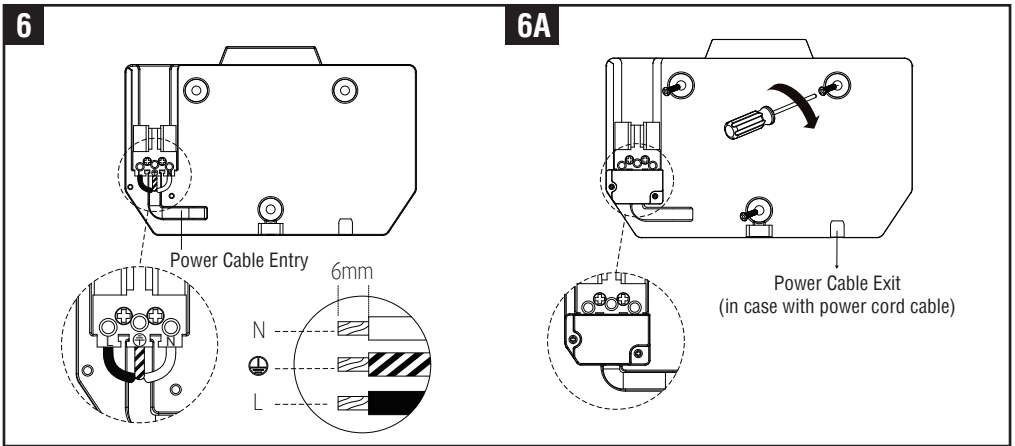
3.4 Screw in terminal block.

3.5 Fix the wall mounting bracket to the wall. Screw to the wall using the appropriate fitting (fig 6A).

3.6 Fix the cable cover with screw on the wall mounting bracket.

**CAUTION:** Connect the ground wire to the terminal block marked “ $\oplus$ ”

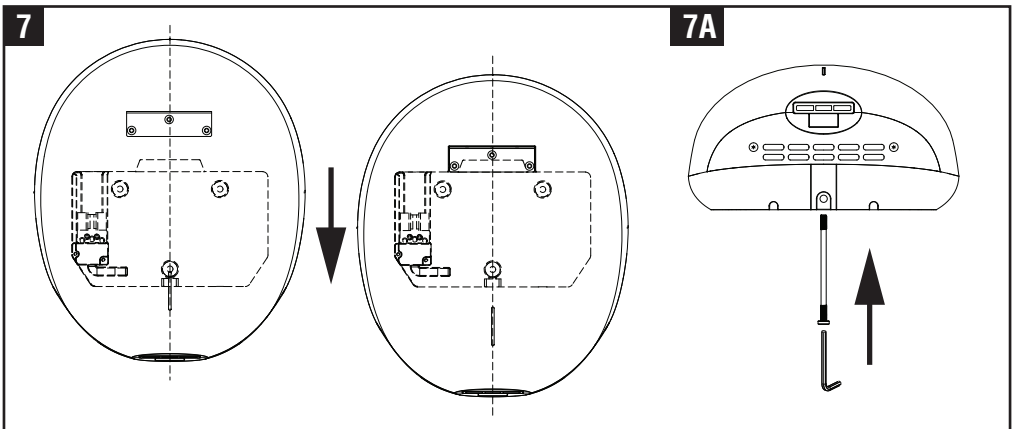
Do not over-tighten and crush the power cable.



### 4. Fix the Main unit to Wall mounting bracket

4.1 Position the unit centrally above the wall mounting bracket so the metal bracket on the rear is positioned over the mating part of the wall bracket moulding. Keeping the dryer firmly against the wall, slowly slide the dryer down until there is no further travel. The dryer should then be electrically connected (fig 7).

4.2 Insert and tighten the security screw seated on the bottom surface (fig 7A).



### 5. Turn power on and test the unit for correct operation.

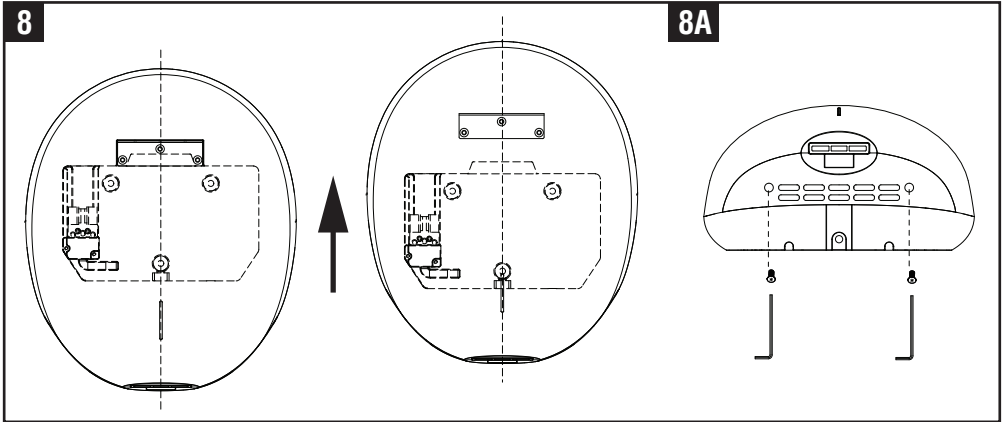
## Heater Switch ON/OFF & Filter replacing

### 1. Heater Switch ON/OFF (factory default setting "ON")

1.1 Remove the one security screw seated on the bottom surface from the unit, using the service tool (fig. 2).

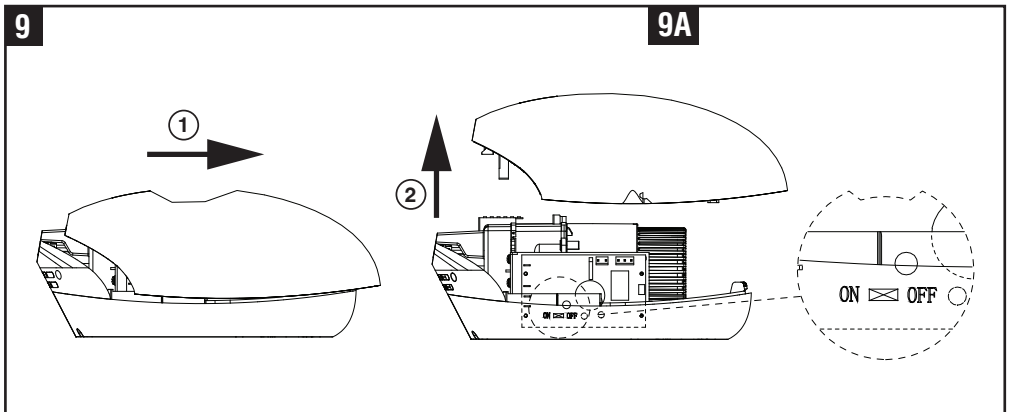
1.2 Lift the unit off the wall mounting bracket (fig. 8).

**Note:** Ensure the LED light on the front of the unit is OFF before opening the front cover, if the LED light is still ON, wait until the light goes off.



1.3 Remove the (2) security screws from the unit, using the service tool (fig. 8A).

1.4 Lift the front cover off the unit (fig. 9).



1.5 To turn off or turn on, use the switch shown in fig. 9A.

### ATTACHING UNIT

Reposition the front cover on the unit.

Insert and tighten two security screws into the bottom of the front cover (fig. 8A).

Reposition the unit on the wall mounting bracket and insert and tighten one security screw into the bottom of front cover (fig. 7~7A).

Test the unit for correct operation. The LED light on the cover should light continuously after the power supply has been correctly connected.

**Note:** If the LED light remains off, the unit must be fitted correctly.

## 2. Filter replacing (If clean air filter option is applicable for your unit)

If the LED light on the front of the unit flashes red then the filter needs to be changed. The filter functions approximately 60,000 uses

2.1 Remove the one security screw from the middle of the bottom face of the unit (fig.2).

2.2 Lift the unit off the TERRA4 wall mounting bracket (fig. 8).

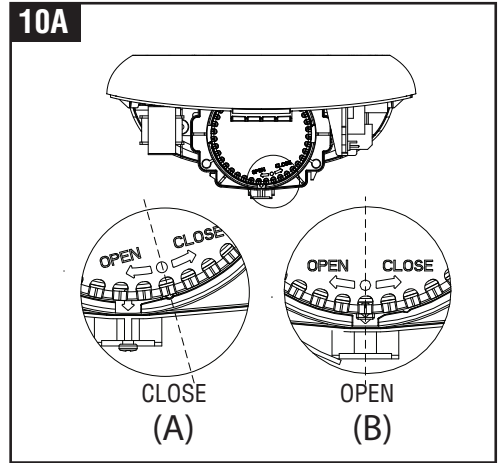
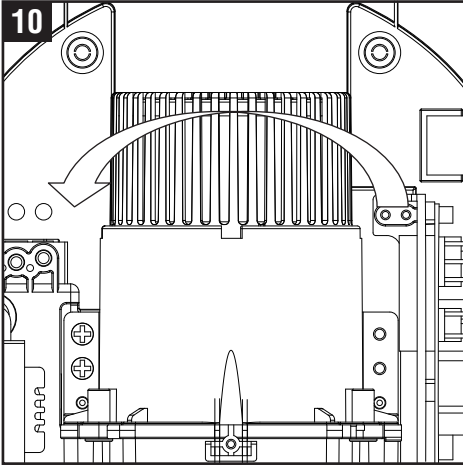
2.3 Remove the (2) security screws from the unit, using the service tool (fig. 8A).

2.4 Lift the front cover off the unit (fig. 9).

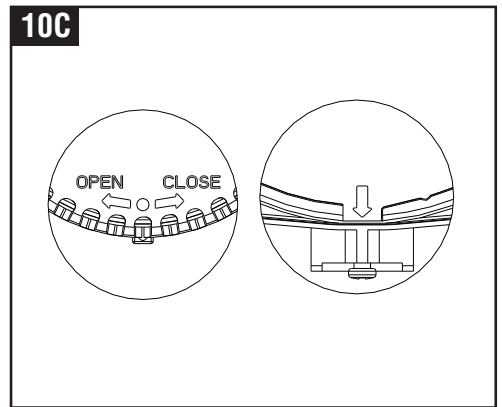
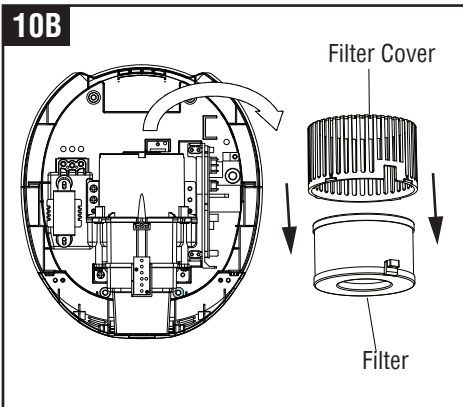
2.5 Turn the filter cover to open direction (fig. 10).

The dot is aligned with the arrow present on the motor cover (fig. 10A).

**Note: Ensure the LED light on the front of the Unit is OFF before opening the front cover, if the LED light is still ON, wait until the light goes off.**



2.6 Remove the filter (fig. 10B).



2.7 Insert the New filter.

The dot on the filter cover is aligned with the arrow on the motor cover (fig.10C).

2.8 Turn the filter cover to close direction. The dot is positioned to the right of the arrow on the motor cover (fig.10A-A).

## ATTACHING UNIT

Reposition the front cover on the Unit.

Insert and tighten two security screws into the bottom of the front cover (fig. 8A).

Reposition the unit on the wall mounting bracket and insert and tighten one security screw into the bottom of front cover (fig. 7~7A).

Test the unit for correct operation. The LED light on the cover should flash 3 times with a red light after the power supply has been correctly connected and followed by continuous light white LED.

**Note: On power up the red LED light should not flash this means the new filter is fitted correctly.**

**Warning - The filter must be replaced with a new filter after 60,000 operations and if not the unit will stop after 75,000 operations. The red LED will be flashing on the window positioned at the front of the cover until the filter is replaced.**

## Operating LED Light

### LED Lighting for standard and Black Edition

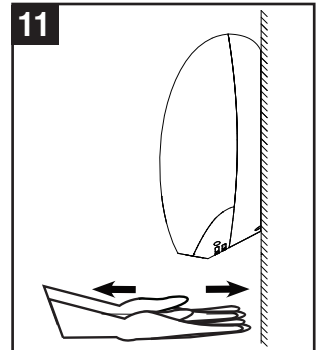
Front cover color	Stand by Mode	Working Mode	Filter Alert
White / Silver	White LED ON	White LED Moving	See below ' Filter alert lighting ' Table
Black Edition	Red LED ON	Red LED Moving	

### Filter Alert Lighting

Filter uses	Lights	Stand by Mode	Working Mode (sensing mode)
From 60,000 uses ~74,999 uses	White LED	White LED ON	White LED Moving
	Red LED	Red LED Blinking	OFF
	Pointing LED (blue)	OFF	ON
From 75,000 uses ~ till reset Motor STOP	White LED	White LED ON	White LED ON
	Red LED	Red LED Blinking	Red LED Blinking
	Pointing LED (blue)	OFF	Blinking

## Use

1. No touch operation.
  2. Shake excess water from hands.
  3. Place hands under the outlet to start operation (fig. 11).
  4. Slowly move hands back and forth through the hand dryer.
  5. The blue LED are placed under the dryer outlet at the bottom starts with drying operation.
  6. The dryer stops when hands are removed.
  7. Hand dryer also auto shuts off after 50 seconds of uninterrupted use.
- If there is an electrical or motor problem, the blue LED will flash when hands off the placed under the dryer outlet.



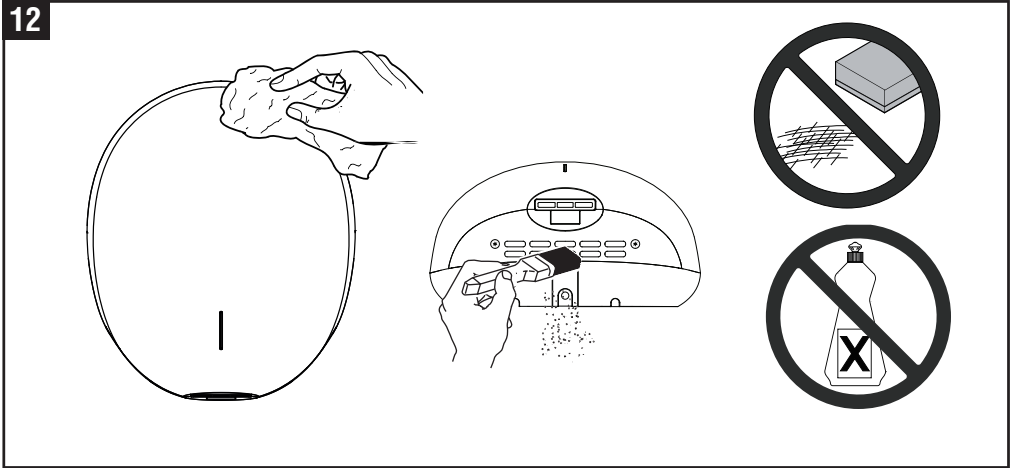


## Maintenance and cleaning



Lift the Unit off the wall mounting bracket before maintenance or repair.

12



### Regular maintenance

Regularly clean the outer casing use a soft, damp cloth to gently wipe away any dirt.

**CAUTION: Never use abrasives or chemicals to clean the cover. Do not soak.**

### Periodical deep clean

1. Clean and maintenance must not taken until the unit has been removed from the wall mounting bracket or cut off power.
2. Use the service tool or security hex driver to remove the two cover security screw.
3. Remove the cover.
4. Clean all dust and lint from the interior of the hand dryer.
5. Replace the cover.
6. Wipe the cover with a damp cloth.