

Gea Cob LED Aluminium ø125mm Recessed uplighting

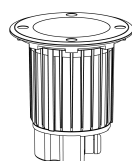
Designer: LEDS C4

**Description**

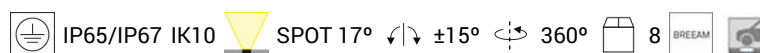
Recessed uplighting IP65/IP67 Gea Cob LED Aluminium ø125mm LED 9W 3000K Polished Black 869lm

	Finish	Material
Structure	Polished Black	Stainless steel AISI316 Aluminium
Diffuser	Transparent	Glass

ø125



133

**TECHNICAL CHARACTERISTICS****Light source**

Light source: LED CREE
 Light source power (W): 9W
 Luminaire total power (W): 10.5W
 Color temperature: LED warm-white 3000K
 CRI: 80
 Photobiological risk: RG1
 Real Lumen: 869
 Qty Leds: 1
 Lm/Real W: 83
 Life Time: 50.000h L80B20
 Bin / Grup: 30H
 MacAdam steps: 2
 UGR: 9.2

GEAR

Gear included: Yes, electronic
 Voltage / Frequency:
 100-240V/50-60Hz
 Power Factor: 0.90
 Dimming protocol: ON-OFF

Luminaire

Temperature on the surface: 40
 Double cable exit: Yes
 Drainage: Yes
 Recessed in-ground suitable for pedestrian crossing: Yes
 Public Areas: 2000 kg
 Seaside: Yes
 Uv Protection: Yes
 Warranty: 5 Years

Logistics

Energy Efficiency: LED A++
 EAN Code: 8435381439958
 Net Weight (Kg): 1
 Weight in Kg (packaged): 1.14
 Packing: 130 x 130 x 140
 Masterbox: 8

The photograph may not match the reference exactly. Please read the product description to identify the finish.

LEDS C4

Luminaria

Código 55-9906-CA-CL
Nombre GEA

Ensayo

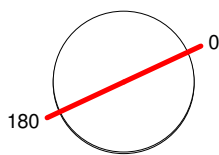
Código 55-9906-CA-CL
Nombre GEA

Flujo Luminaria	868.80 lm	Potencia luminaria	10.00 W	Eficacia	86.88 lm/W	Eficiencia	100.00%
Flujo de Lámpara	868.80 lm	Valor Máximo	6228.66 cd/klm	Posición	C=0.00 G=0.00	CG	Rotosimétrico
Luminaria Redonda Área Luminosa Redonda		Diam. Diam.	125 mm 77 mm	Altura Altura	3 mm 0 mm		
Área Luminosa Horizontal Área Emisión sobre Pl. 0° Área Emisión sobre Pl. 90°		0.004657 m2 0.000000 m2 0.000000 m2		Área Emisión sobre Pl. 180° Área Emisión sobre Pl. 270° Área de deslumbramiento a 76°		0.000000 m2 0.000000 m2 0.001127 m2	
Sist. de Coorden. Fecha Distancia de Ensayo		CG 01-02-2019 0.00		Tipo de Simetría Máximo Ángulo Gamma Flujo de Ensayo		Rotosimétrico 90 868.80 lm	
Operador Temperatura Humedad Notas		qualitat 25.00 °C 60.00 %		Tensión de alimentación [V] Corriente de alimentación [A] Fotocélula			

Lámparas de la Luminaria

Familia	Código	Nombre	Flujo [lm]	Pot. [W]	Cant.
	55-9906-CA-CK_15°	55-9906-CA-CK_15°	868.80	10.00	1
C.I.E. F UTE	100 100 100 100 100 --		D DIN 5040 B NBN	A60 BZ 1	

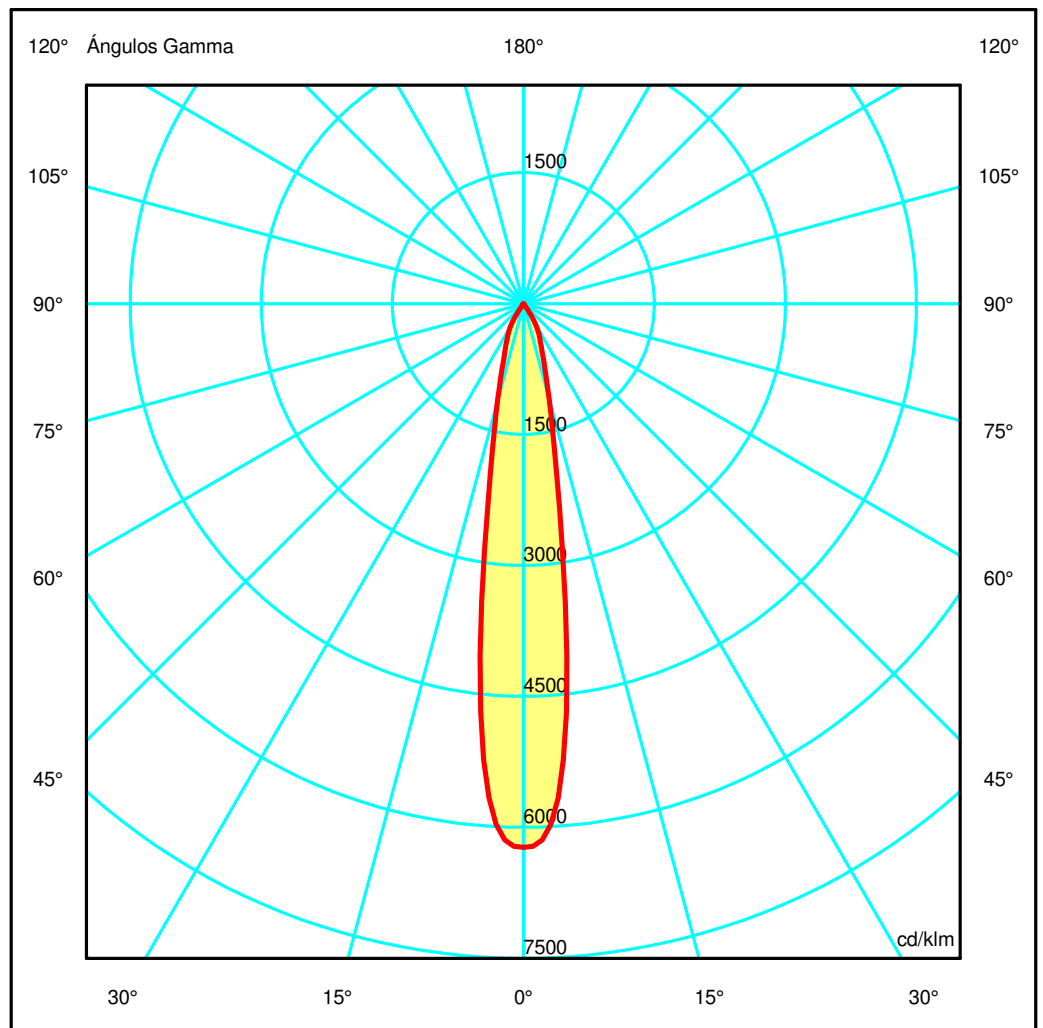
Diam=125mm



Semiplanos C

180.0 — 0.0

ULOR 0.00 %
DLOR 100.00 %
RN 0.00 %



Luminaria

Código 55-9906-CA-CL

Nombre GEA

Ensayo

Código 55-9906-CA-CL

Nombre GEA

Flujo Luminaria	868.80 lm	Potencia luminaria	10.00 W	Eficacia	86.88 lm/W	Eficiencia	100.00%
Flujo de Lámpara	868.80 lm	Valor Máximo	6228.66 cd/klm	Posición	C=0.00 G=0.00	CG	Rotosimétrico

Tabla de Intensidad Luminosa cd/klm
Tabla 1/1

	C 0.00	C 0.00	
G 0.0	6228.66	G 46.0	3.68
G 1.0	6217.17	G 47.0	3.40
G 2.0	6147.39	G 48.0	3.16
G 3.0	5970.11	G 49.0	2.95
G 4.0	5676.48	G 50.0	2.75
G 5.0	5243.54	G 51.0	2.57
G 6.0	4698.77	G 52.0	2.40
G 7.0	4070.43	G 53.0	2.25
G 8.0	3436.12	G 54.0	2.12
G 9.0	2852.54	G 55.0	2.00
G 10.0	2367.23	G 56.0	1.91
G 11.0	1986.99	G 57.0	1.80
G 12.0	1695.30	G 58.0	1.74
G 13.0	1475.89	G 59.0	1.66
G 14.0	1290.93	G 60.0	1.59
G 15.0	1138.41	G 61.0	0.00
G 16.0	1008.08	G 62.0	0.00
G 17.0	895.56	G 63.0	0.00
G 18.0	800.37	G 64.0	0.00
G 19.0	720.06	G 65.0	0.00
G 20.0	653.95	G 66.0	0.00
G 21.0	598.00	G 67.0	0.00
G 22.0	550.24	G 68.0	0.00
G 23.0	508.45	G 69.0	0.00
G 24.0	472.77	G 70.0	0.00
G 25.0	442.62	G 71.0	0.00
G 26.0	415.78	G 72.0	0.00
G 27.0	388.19	G 73.0	0.00
G 28.0	357.20	G 74.0	0.00
G 29.0	321.11	G 75.0	0.00
G 30.0	280.14	G 76.0	0.00
G 31.0	237.58	G 77.0	0.00
G 32.0	194.89	G 78.0	0.00
G 33.0	154.86	G 79.0	0.00
G 34.0	117.09	G 80.0	0.00
G 35.0	83.60	G 81.0	0.00
G 36.0	55.34	G 82.0	0.00
G 37.0	33.60	G 83.0	0.00
G 38.0	19.08	G 84.0	0.00
G 39.0	11.33	G 85.0	0.00
G 40.0	7.60	G 86.0	0.00
G 41.0	6.09	G 87.0	0.00
G 42.0	5.43	G 88.0	0.00
G 43.0	4.86	G 89.0	0.00
G 44.0	4.36	G 90.0	0.00
G 45.0	3.98		

LEDS C4[®]

Luminaria

Código 55-9906-CA-CL
Nombre GEA

Ensayo

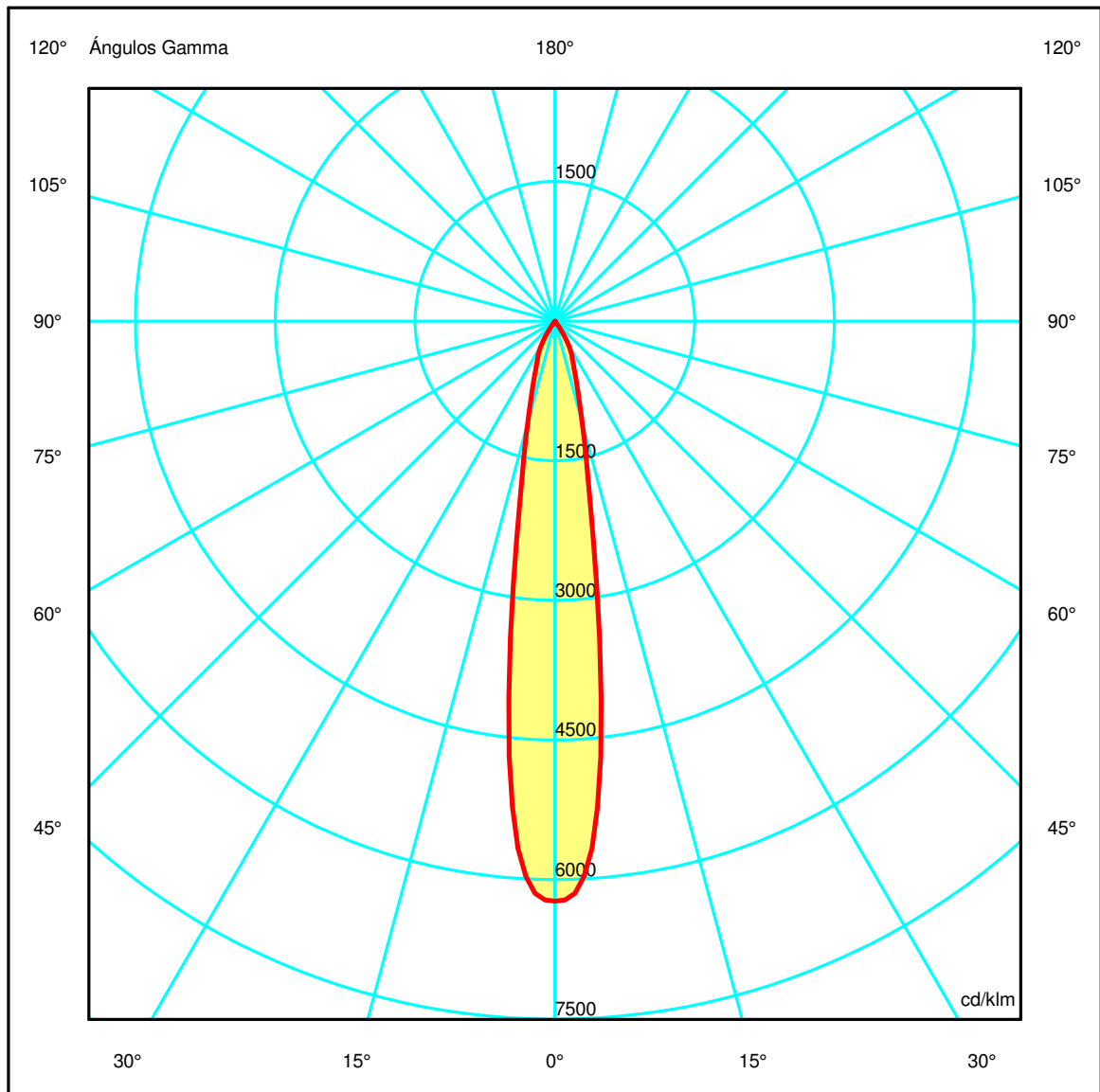
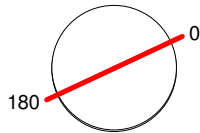
Código 55-9906-CA-CL
Nombre GEA

Flujo Luminaria	868.80 lm	Potencia luminaria	10.00 W	Eficacia	86.88 lm/W	Eficiencia	100.00%
Flujo de Lámpara	868.80 lm	Valor Máximo	6228.66 cd/klm	Posición	C=0.00 G=0.00	CG	Rotosimétrico

Diam=125mm

Semiplanos C

180.0  0.0



LEDS C4[®]

Luminaria

Código 55-9906-CA-CL
Nombre GEA

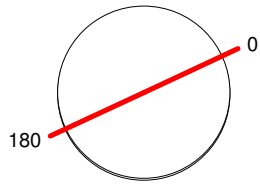
Ensayo

Código 55-9906-CA-CL
Nombre GEA

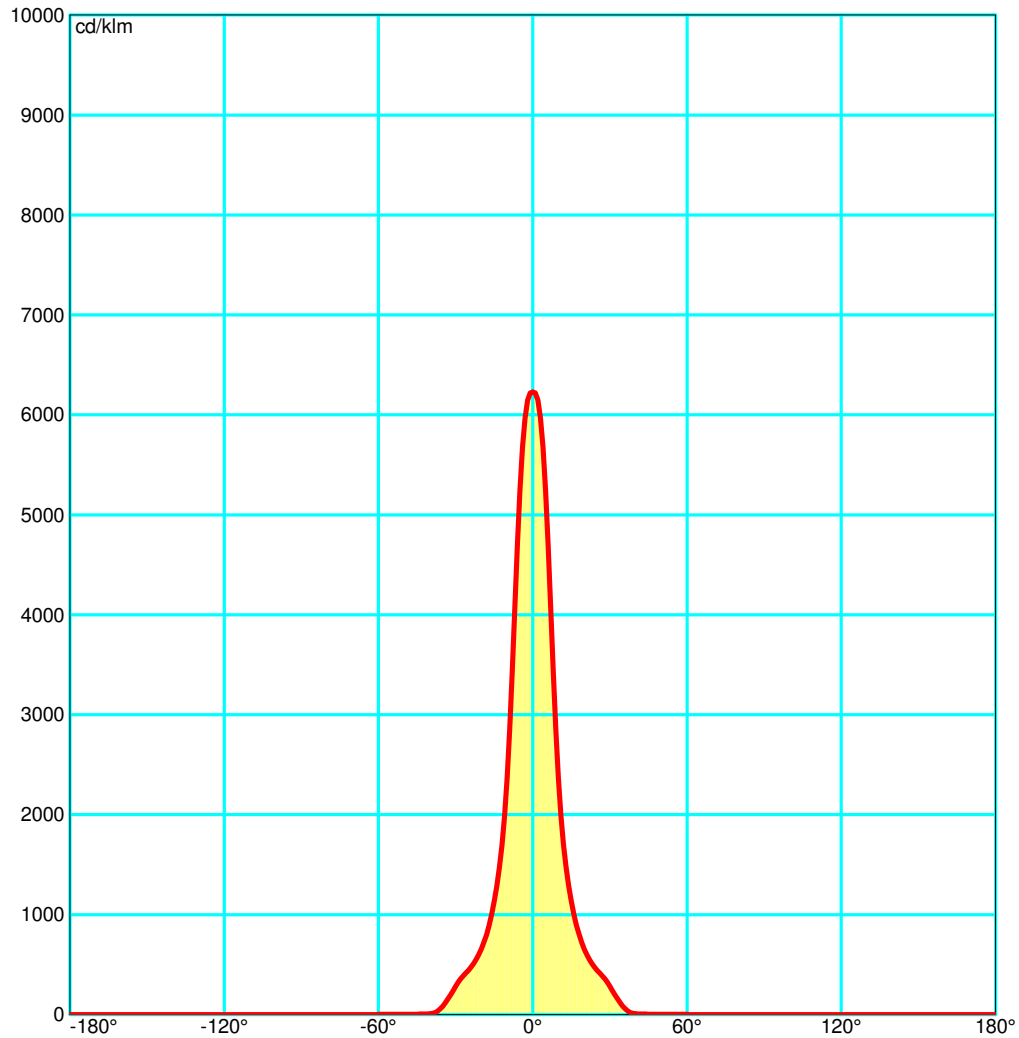
Flujo Luminaria	868.80 lm	Potencia luminaria	10.00 W	Eficacia	86.88 lm/W	Eficiencia	100.00%
Flujo de Lámpara	868.80 lm	Valor Máximo	6228.66 cd/klm	Posición	C=0.00 G=0.00	CG	Rotosimétrico

Diam=125mm

Semiplanos C



180.0 ————— 0.0



Luminaria

Código 55-9906-CA-CL

Nombre GEA

Ensayo

Código 55-9906-CA-CL

Nombre GEA

Flujo Luminaria	868.80 lm	Potencia luminaria	10.00 W	Eficacia	86.88 lm/W	Eficiencia	100.00%
Flujo de Lámpara	868.80 lm	Valor Máximo	6228.66 cd/klm	Posición	C=0.00 G=0.00	CG	Rotosimétrico

UGR
S = 0.250

Reflectancias										
Ceiling/Cavity	0.7	0.7	0.5	0.5	0.3	0.7	0.7	0.5	0.5	0.3
Walls	0.5	0.3	0.5	0.3	0.3	0.5	0.3	0.5	0.3	0.3
WorkingPlane	0.2	0.2	0.2	0.2	0.2	0.2	0.2	0.2	0.2	0.2
RoomDimensions	Viewed Crosswise					Viewed Endwise				
x=2H y=2H	9.9	10.5	10.2	10.7	10.9	9.9	10.5	10.2	10.7	10.9
x=2H y=3H	9.8	10.4	10.1	10.6	10.8	9.8	10.4	10.1	10.6	10.8
x=2H y=4H	9.7	10.2	10.0	10.5	10.7	9.7	10.2	10.0	10.5	10.7
x=2H y=6H	9.6	10.1	10.0	10.4	10.7	9.6	10.1	10.0	10.4	10.7
x=2H y=8H	9.6	10.1	9.9	10.4	10.7	9.6	10.1	9.9	10.4	10.7
x=2H y=12H	9.6	10.0	9.9	10.3	10.6	9.6	10.0	9.9	10.3	10.6
x=4H y=2H	9.7	10.3	10.0	10.5	10.7	9.7	10.3	10.0	10.5	10.7
x=4H y=3H	9.6	10.0	9.9	10.3	10.6	9.6	10.0	9.9	10.3	10.6
x=4H y=4H	9.5	9.9	9.9	10.2	10.6	9.5	9.9	9.9	10.2	10.6
x=4H y=6H	9.4	9.7	9.8	10.1	10.5	9.4	9.7	9.8	10.1	10.5
x=4H y=8H	9.4	9.7	9.8	10.0	10.4	9.4	9.7	9.8	10.0	10.4
x=4H y=12H	9.4	9.6	9.8	10.0	10.4	9.4	9.6	9.8	10.0	10.4
x=8H y=4H	9.4	9.7	9.8	10.0	10.4	9.4	9.7	9.8	10.0	10.4
x=8H y=6H	9.3	9.5	9.7	9.9	10.4	9.3	9.5	9.7	9.9	10.4
x=8H y=8H	9.2	9.4	9.7	9.9	10.3	9.2	9.4	9.7	9.9	10.3
x=8H y=12H	9.2	9.3	9.7	9.8	10.3	9.2	9.3	9.7	9.8	10.3
x=12H y=4H	9.4	9.6	9.8	10.0	10.4	9.4	9.6	9.8	10.0	10.4
x=12H y=6H	9.2	9.4	9.7	9.9	10.3	9.2	9.4	9.7	9.9	10.3
x=12H y=8H	9.2	9.3	9.7	9.8	10.3	9.2	9.3	9.7	9.8	10.3

Luminaria

Código 55-9906-CA-CL
Nombre GEA

Ensayo

Código 55-9906-CA-CL
Nombre GEA

Flujo Luminaria	868.80 lm	Potencia luminaria	10.00 W	Eficacia	86.88 lm/W	Eficiencia	100.00%
Flujo de Lámpara	868.80 lm	Valor Máximo	6228.66 cd/klm	Posición	C=0.00 G=0.00	CG	Rotosimétrico

Flujo Total=868.80 Flujo Luminaria=868.80

RI	0.60	0.80	1.00	1.25	1.50	2.00	2.50	3.00	4.00	5.00	10.00	20.00
DRR	0.74	0.78	0.83	0.86	0.89	0.93	0.96	0.98	0.99	1.00	1.02	1.02
RC	-	-	-	-	-	-	-	-	-	-	-	-

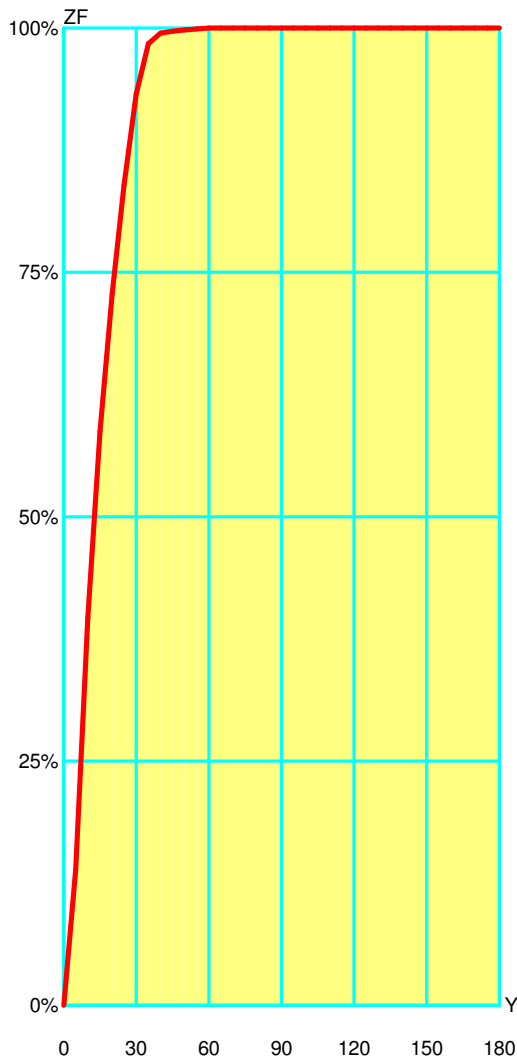
Flujo Zonal por 1000 Lúmenes

Y°	10	20	30	40	50	60	70	80	90	100	110	120	130	140	150	160	170	180
ZF(Y)	397	728	932	995	998	1000	1000	1000	1000	1000	1000	1000	1000	1000	1000	1000	1000	1000

Códigos de Flujo C.I.E.

100 100 100 100 100

C.I.E.	-/-/-/-/-/-/-/-/-/-	LOR	100.00000 %
D DIN 5040	A60	ULOR	0.00000 %
F UTE	--	DLOR	100.00000 %
B NBN	BZ 1	UFF	0.00000 %
RN	0.00000 %	DFF	100.00000 %
BLF	1.0	FFR	0.00000 %



Flujo Zonal				
Gamma °	Flujo	Suma lm	Flujo [%]	Suma [%]
0°	0.00	0.00	0.00%	0.00 %
5°	138.65	138.65	13.86 %	13.86 %
10°	258.61	397.25	25.86 %	39.73 %
15°	190.16	587.41	19.02 %	58.74 %
20°	140.66	728.07	14.07 %	72.81 %
25°	111.60	839.67	11.16 %	83.97 %
30°	92.78	932.45	9.28 %	93.24 %
35°	51.56	984.01	5.16 %	98.40 %
40°	10.78	994.79	1.08 %	99.48 %
45°	1.96	996.75	0.20 %	99.67 %
50°	1.33	998.08	0.13 %	99.81 %
55°	1.02	999.10	0.10 %	99.91 %
60°	0.82	999.92	0.08 %	99.99 %
65°	0.08	1000.00	0.01 %	100.00 %
70°	0.00	1000.00	0.00 %	100.00 %
75°	0.00	1000.00	0.00 %	100.00 %
80°	0.00	1000.00	0.00 %	100.00 %
85°	0.00	1000.00	0.00 %	100.00 %
90°	0.00	1000.00	0.00 %	100.00 %
95°	0.00	1000.00	0.00 %	100.00 %
100°	0.00	1000.00	0.00 %	100.00 %
105°	0.00	1000.00	0.00 %	100.00 %
110°	0.00	1000.00	0.00 %	100.00 %
115°	0.00	1000.00	0.00 %	100.00 %
120°	0.00	1000.00	0.00 %	100.00 %
125°	0.00	1000.00	0.00 %	100.00 %
130°	0.00	1000.00	0.00 %	100.00 %
135°	0.00	1000.00	0.00 %	100.00 %
140°	0.00	1000.00	0.00 %	100.00 %
145°	0.00	1000.00	0.00 %	100.00 %
150°	0.00	1000.00	0.00 %	100.00 %
155°	0.00	1000.00	0.00 %	100.00 %
160°	0.00	1000.00	0.00 %	100.00 %
165°	0.00	1000.00	0.00 %	100.00 %
170°	0.00	1000.00	0.00 %	100.00 %
175°	0.00	1000.00	0.00 %	100.00 %
180°	0.00	1000.00	0.00 %	100.00 %

Luminaria

Código 55-9906-CA-CL
Nombre GEA

Ensayo

Código 55-9906-CA-CL
Nombre GEA

Flujo Luminaria	868.80 lm	Potencia luminaria	10.00 W	Eficacia	86.88 lm/W	Eficiencia	100.00%
Flujo de Lámpara	868.80 lm	Valor Máximo	6228.66 cd/klm	Posición	C=0.00 G=0.00	CG	Rotosimétrico

Utilización CIE

Montaje	Directo	Normalización										Normalizados										Raz. de Susp. 1/3			CIE Estándar		
Techo																											
K	8873	8773	8871	8771	7773	7771	7753	7553	7751	7551	7731	7331	7711	7111	5551	5531	5331	5511	5111	3331	3311	1111	0000				
0.60	159	143	88	79	136	76	93	79	49	42	31	23	18	12	39	25	22	14	12	21	12	11	0				
0.80	193	177	96	89	168	85	123	107	59	52	40	32	25	19	48	33	30	21	18	28	18	16	0				
1.00	216	201	98	92	191	88	147	131	64	57	46	38	33	25	54	39	36	28	24	34	25	22	0				
1.25	239	225	100	94	214	91	172	156	70	64	53	45	40	32	60	46	43	35	31	41	31	28	0				
1.50	257	244	100	96	233	92	193	177	74	68	59	51	46	38	64	52	49	41	37	46	37	34	0				
2.00	281	270	98	95	257	92	224	209	78	73	66	60	57	49	70	60	57	51	47	55	47	44	0				
2.50	297	287	96	93	274	91	246	233	80	77	72	66	64	57	73	66	63	59	55	60	55	51	0				
3.00	308	300	94	92	286	89	263	250	82	79	76	70	70	63	75	70	67	65	61	65	61	57	0				
4.00	325	318	94	93	305	91	286	276	86	83	82	77	78	72	80	76	74	73	70	72	69	65	0				
5.00	336	330	95	94	316	91	302	293	88	86	86	82	83	78	83	81	79	79	75	77	75	71	0				
10.00	360	357	96	95	343	94	337	332	94	93	95	92	95	92	90	91	90	91	89	87	88	85	0				
20.00	374	373	98	97	358	96	357	354	98	97	100	99	102	100	95	97	96	99	98	94	96	93	0				

Pared																							
K	8873	8773	8871	8771	7773	7771	7753	7553	7751	7551	7731	7331	7711	7111	5551	5531	5331	5511	5111	3331	3311	1111	0000
0.60	273	264	183	179	260	176	205	198	142	139	119	116	103	101	138	117	116	101	101	115	101	100	77
0.80	305	296	195	191	289	188	235	227	157	153	134	131	118	115	150	131	129	116	114	128	114	113	86
1.00	319	309	191	188	300	184	250	241	157	154	137	133	122	118	150	133	131	119	117	130	117	115	85
1.25	335	325	191	187	314	183	268	258	160	157	142	138	128	124	152	137	135	124	122	133	121	119	86
1.50	346	336	188	185	323	181	280	270	161	157	145	140	131	127	152	139	137	127	124	134	123	121	85
2.00	345	337	168	166	320	161	285	275	146	143	134	130	124	119	137	127	125	118	115	121	113	109	70
2.50	337	329	146	144	311	139	282	272	129	126	119	115	111	106	119	112	110	105	102	105	99	94	53
3.00	324	317	123	121	297	117	273	263	109	106	102	98	96	91	99	94	92	89	86	87	82	77	34
4.00	314	308	100	99	286	94	267	259	89	87	85	81	81	76	79	76	74	72	70	68	65	58	13
5.00	302	297	80	79	273	74	258	251	71	69	68	65	65	61	60	58	57	56	54	50	48	41	0
10.00	226	223	0	0	196	0	189	185	0	0	0	0	0	0	0	0	0	0	0	0	0	0	0
20.00	86	84	0	0	55	0	54	51	0	0	0	0	0	0	0	0	0	0	0	0	0	0	0

P.Trab.																							
K	8873	8773	8871	8771	7773	7771	7753	7553	7751	7551	7731	7331	7711	7111	5551	5531	5331	5511	5111	3331	3311	1111	0000
0.60	917	908	855	851	902	848	835	828	804	800	774	771	753	751	798	771	770	751	750	769	750	750	742
0.80	978	967	900	895	957	891	891	882	850	846	820	816	798	795	842	816	814	795	794	812	794	792	784
1.00	1000	1000	940	935	1000	930	945	934	894	889	867	862	846	841	884	861	859	842	840	856	839	837	829
1.25	1000	1000	970	965	1000	959	990	978	927	922	902	897	883	877	916	895	892	877	874	889	873	870	862
1.50	1000	1000	990	986	1000	979	1000	1000	951	946	929	922	910	904	939	919	917	904	900	912	898	894	886
2.00	1000	1000	1000	1000	1000	1000	1000	1000	991	987	974	967	959	952	977	963	960	950	946	953	943	936	930
2.50	1000	1000	1000	1000	1000	1000	1000	1000	1000	1000	1000	1000	1000	1000	1000	991	988	981	977	980	972	964	958
3.00	1000	1000	1000	1000	1000	1000	1000	1000	1000	1000	1000	1000	1000	1000	1000	1000	1000	1000	1000	1000	999	993	984
4.00	1000	1000	1000	1000	1000	1000	1000	1000	1000	1000	1000	1000	1000	1000	1000	1000	1000	1000	1000	1000	1000	1000	994
5.00	1000	1000	1000	1000	1000	1000	1000	1000	1000	1000	1000	1000	1000	1000	1000	1000	1000	1000	1000	1000	1000	1000	1000
10.00	1000	1000	1000	1000	1000	1000	1000	1000	1000	1000	1000	1000	1000	1000	1000	1000	1000	1000	1000	1000	1000	1000	1000
20.00	1000	1000	1000	1000	1000	1000	1000	1000	1000	1000	1000	1000	1000	1000	1000	1000	1000	1000	1000	1000	1000	1000	1000

LM53 SHR C0-C180: 0.290 SHR C90-C270: 0.290 SHR Superficial: 0.304

LEDS C4⁺

Luminaria

Código 55-9906-CA-CL
Nombre GEA

Ensayo

Código 55-9906-CA-CL
Nombre GEA

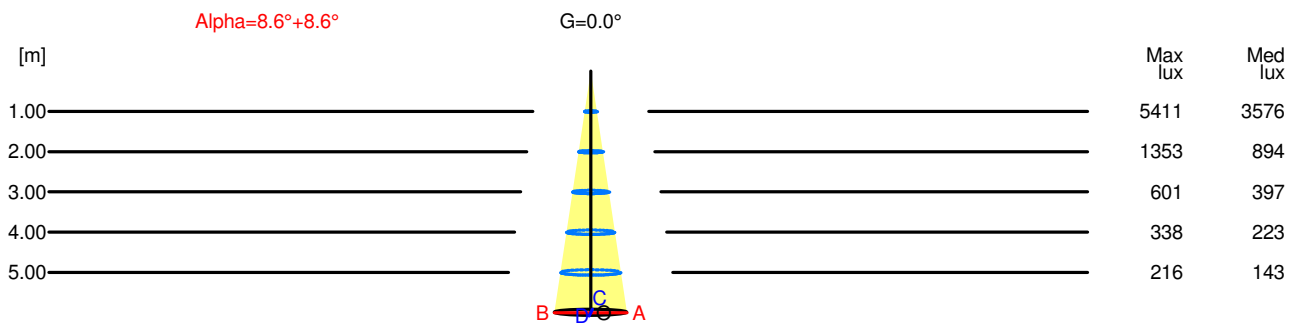
Flujo Luminaria	868.80 lm	Potencia luminaria	10.00 W	Eficacia	86.88 lm/W	Eficiencia	100.00%
Flujo de Lámpara	868.80 lm	Valor Máximo	6228.66 cd/klm	Posición	C=0.00 G=0.00	CG	Rotosimétrico

Apertura a 50.00 % de Max Intensidad

H[m]	1.00	2.00	3.00	4.00	5.00	H[m]	1.00	2.00	3.00	4.00	5.00
OA	0.15	0.30	0.45	0.60	0.75	OC	0.15	0.30	0.45	0.60	0.75
OB	0.15	0.30	0.45	0.60	0.75	OD	0.15	0.30	0.45	0.60	0.75

Intensidades Luminosas [cd/klm]

	0	5	15	25	35	45	55	65	75	85
OA	5411.46	4555.58	989.05	384.55	72.63	3.46	1.74	0.00	0.00	0.00
OB	5411.46	4555.58	989.05	384.55	72.63	3.46	1.74	0.00	0.00	0.00
OC	5411.46	4555.58	989.05	384.55	72.63	3.46	1.74	0.00	0.00	0.00
OD	5411.46	4555.58	989.05	384.55	72.63	3.46	1.74	0.00	0.00	0.00



H[m]	D[m]	Max lux	Med lux	Alpha=8.6°+8.6°	G=0.0
1.00	0.30	5411	3576		
2.00	0.60	1353	894		
3.00	0.90	601	397		
4.00	1.20	338	223		
5.00	1.50	216	143		

LEDS C4⁺

Luminaria

Código 55-9906-CA-CL
Nombre GEA

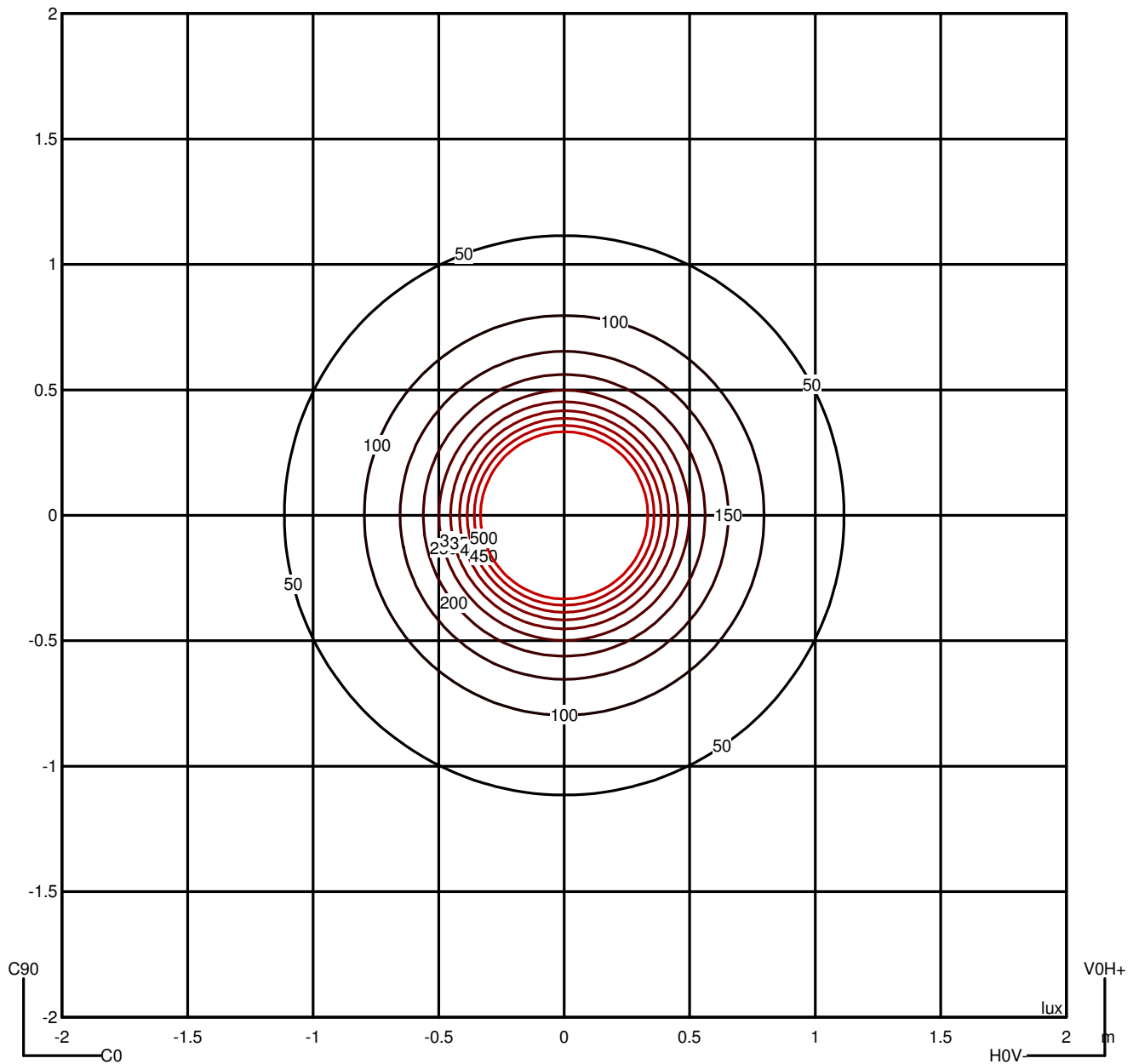
Ensayo

Código 55-9906-CA-CL
Nombre GEA

Flujo Luminaria	868.80 lm	Potencia luminaria	10.00 W	Eficacia	86.88 lm/W	Eficiencia	100.00%
Flujo de Lámpara	868.80 lm	Valor Máximo	6228.66 cd/klm	Posición	C=0.00 G=0.00	CG	Rotosimétrico

Isolux (Suelo)

Posición Luminaria X=0.00m Y=0.00m Z=2.50m



LEDS C4[®]

Luminaria

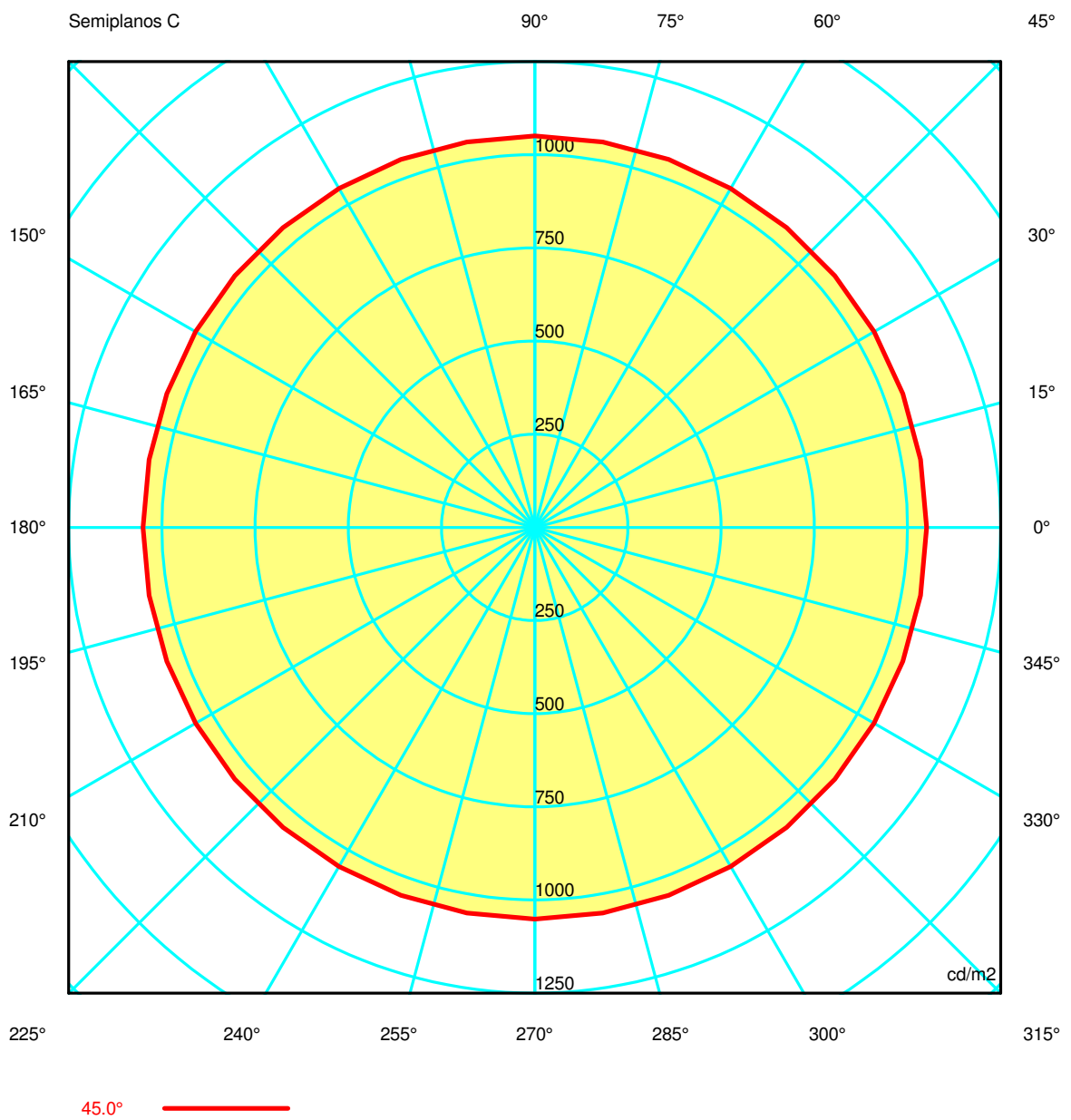
Código 55-9906-CA-CL
Nombre GEA

Ensayo

Código 55-9906-CA-CL
Nombre GEA

Flujo Luminaria	868.80 lm	Potencia luminaria	10.00 W	Eficacia	86.88 lm/W	Eficiencia	100.00%
Flujo de Lámpara	868.80 lm	Valor Máximo	6228.66 cd/klm	Posición	C=0.00 G=0.00	CG	Rotosimétrico

Luminancia



Luminaria

Código 55-9906-CA-CL

Nombre GEA

Ensayo

Código 55-9906-CA-CL

Nombre GEA

Flujo Luminaria	868.80 lm	Potencia luminaria	10.00 W	Eficacia	86.88 lm/W	Eficiencia	100.00%
Flujo de Lámpara	868.80 lm	Valor Máximo	6228.66 cd/klm	Posición	C=0.00 G=0.00	CG	Rotosimétrico

Luminance cd/m2 Tabla 1/3

	C 0.00	C 10.00	C 20.00	C 30.00	C 40.00	C 50.00	C 60.00	C 70.00	C 80.00	C 90.00	C 100.00	C 110.00	C 120.00
G 0.0	1162099.62	1162099.62	1162099.62	1162099.62	1162099.62	1162099.62	1162099.62	1162099.62	1162099.62	1162099.62	1162099.62	1162099.62	1162099.62
G 5.0	982038.52	982038.52	982038.52	982038.52	982038.52	982038.52	982038.52	982038.52	982038.52	982038.52	982038.52	982038.52	982038.52
G 10.0	448474.98	448474.98	448474.98	448474.98	448474.98	448474.98	448474.98	448474.98	448474.98	448474.98	448474.98	448474.98	448474.98
G 15.0	219889.03	219889.03	219889.03	219889.03	219889.03	219889.03	219889.03	219889.03	219889.03	219889.03	219889.03	219889.03	219889.03
G 20.0	129838.86	129838.86	129838.86	129838.86	129838.86	129838.86	129838.86	129838.86	129838.86	129838.86	129838.86	129838.86	129838.86
G 25.0	91118.61	91118.61	91118.61	91118.61	91118.61	91118.61	91118.61	91118.61	91118.61	91118.61	91118.61	91118.61	91118.61
G 30.0	60352.34	60352.34	60352.34	60352.34	60352.34	60352.34	60352.34	60352.34	60352.34	60352.34	60352.34	60352.34	60352.34
G 35.0	19040.02	19040.02	19040.02	19040.02	19040.02	19040.02	19040.02	19040.02	19040.02	19040.02	19040.02	19040.02	19040.02
G 40.0	1851.28	1851.28	1851.28	1851.28	1851.28	1851.28	1851.28	1851.28	1851.28	1851.28	1851.28	1851.28	1851.28
G 45.0	1050.72	1050.72	1050.72	1050.72	1050.72	1050.72	1050.72	1050.72	1050.72	1050.72	1050.72	1050.72	1050.72
G 50.0	797.76	797.76	797.76	797.76	797.76	797.76	797.76	797.76	797.76	797.76	797.76	797.76	797.76
G 55.0	651.88	651.88	651.88	651.88	651.88	651.88	651.88	651.88	651.88	651.88	651.88	651.88	651.88
G 60.0	593.38	593.38	593.38	593.38	593.38	593.38	593.38	593.38	593.38	593.38	593.38	593.38	593.38
G 65.0	0.00	0.00	0.00	0.00	0.00	0.00	0.00	0.00	0.00	0.00	0.00	0.00	0.00
G 70.0	0.00	0.00	0.00	0.00	0.00	0.00	0.00	0.00	0.00	0.00	0.00	0.00	0.00
G 75.0	0.00	0.00	0.00	0.00	0.00	0.00	0.00	0.00	0.00	0.00	0.00	0.00	0.00
G 80.0	0.00	0.00	0.00	0.00	0.00	0.00	0.00	0.00	0.00	0.00	0.00	0.00	0.00
G 85.0	0.00	0.00	0.00	0.00	0.00	0.00	0.00	0.00	0.00	0.00	0.00	0.00	0.00
G 90.0	0.00	0.00	0.00	0.00	0.00	0.00	0.00	0.00	0.00	0.00	0.00	0.00	0.00

Luminaria

Código 55-9906-CA-CL

Nombre GEA

Ensayo

Código 55-9906-CA-CL

Nombre GEA

Flujo Luminaria	868.80 lm	Potencia luminaria	10.00 W	Eficacia	86.88 lm/W	Eficiencia	100.00%
Flujo de Lámpara	868.80 lm	Valor Máximo	6228.66 cd/klm	Posición	C=0.00 G=0.00	CG	Rotosimétrico

Luminance cd/m2 Tabla 2/3

	C 130.00	C 140.00	C 150.00	C 160.00	C 170.00	C 180.00	C 190.00	C 200.00	C 210.00	C 220.00	C 230.00	C 240.00	C 250.00
G 0.0	1162099.62	1162099.62	1162099.62	1162099.62	1162099.62	1162099.62	1162099.62	1162099.62	1162099.62	1162099.62	1162099.62	1162099.62	1162099.62
G 5.0	982038.52	982038.52	982038.52	982038.52	982038.52	982038.52	982038.52	982038.52	982038.52	982038.52	982038.52	982038.52	982038.52
G 10.0	448474.98	448474.98	448474.98	448474.98	448474.98	448474.98	448474.98	448474.98	448474.98	448474.98	448474.98	448474.98	448474.98
G 15.0	219889.03	219889.03	219889.03	219889.03	219889.03	219889.03	219889.03	219889.03	219889.03	219889.03	219889.03	219889.03	219889.03
G 20.0	129838.86	129838.86	129838.86	129838.86	129838.86	129838.86	129838.86	129838.86	129838.86	129838.86	129838.86	129838.86	129838.86
G 25.0	91118.61	91118.61	91118.61	91118.61	91118.61	91118.61	91118.61	91118.61	91118.61	91118.61	91118.61	91118.61	91118.61
G 30.0	60352.34	60352.34	60352.34	60352.34	60352.34	60352.34	60352.34	60352.34	60352.34	60352.34	60352.34	60352.34	60352.34
G 35.0	19040.02	19040.02	19040.02	19040.02	19040.02	19040.02	19040.02	19040.02	19040.02	19040.02	19040.02	19040.02	19040.02
G 40.0	1851.28	1851.28	1851.28	1851.28	1851.28	1851.28	1851.28	1851.28	1851.28	1851.28	1851.28	1851.28	1851.28
G 45.0	1050.72	1050.72	1050.72	1050.72	1050.72	1050.72	1050.72	1050.72	1050.72	1050.72	1050.72	1050.72	1050.72
G 50.0	797.76	797.76	797.76	797.76	797.76	797.76	797.76	797.76	797.76	797.76	797.76	797.76	797.76
G 55.0	651.88	651.88	651.88	651.88	651.88	651.88	651.88	651.88	651.88	651.88	651.88	651.88	651.88
G 60.0	593.38	593.38	593.38	593.38	593.38	593.38	593.38	593.38	593.38	593.38	593.38	593.38	593.38
G 65.0	0.00	0.00	0.00	0.00	0.00	0.00	0.00	0.00	0.00	0.00	0.00	0.00	0.00
G 70.0	0.00	0.00	0.00	0.00	0.00	0.00	0.00	0.00	0.00	0.00	0.00	0.00	0.00
G 75.0	0.00	0.00	0.00	0.00	0.00	0.00	0.00	0.00	0.00	0.00	0.00	0.00	0.00
G 80.0	0.00	0.00	0.00	0.00	0.00	0.00	0.00	0.00	0.00	0.00	0.00	0.00	0.00
G 85.0	0.00	0.00	0.00	0.00	0.00	0.00	0.00	0.00	0.00	0.00	0.00	0.00	0.00
G 90.0	0.00	0.00	0.00	0.00	0.00	0.00	0.00	0.00	0.00	0.00	0.00	0.00	0.00

Luminaria

Código 55-9906-CA-CL

Nombre GEA

Ensayo

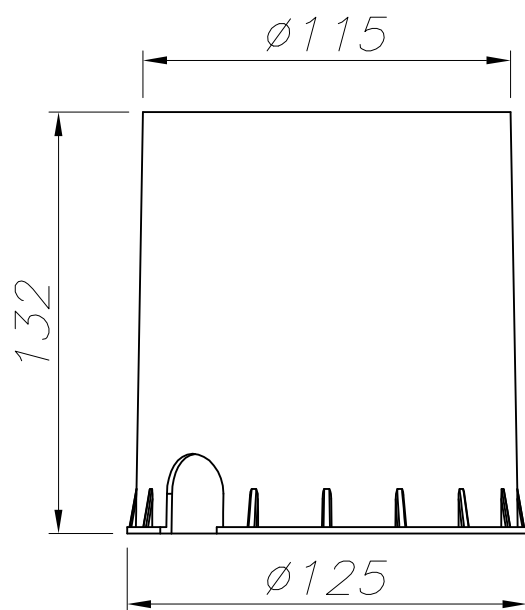
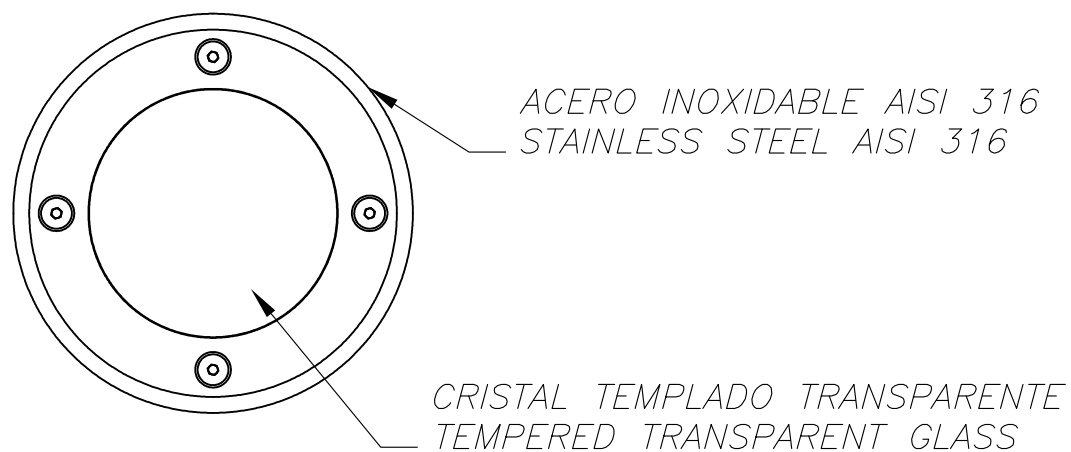
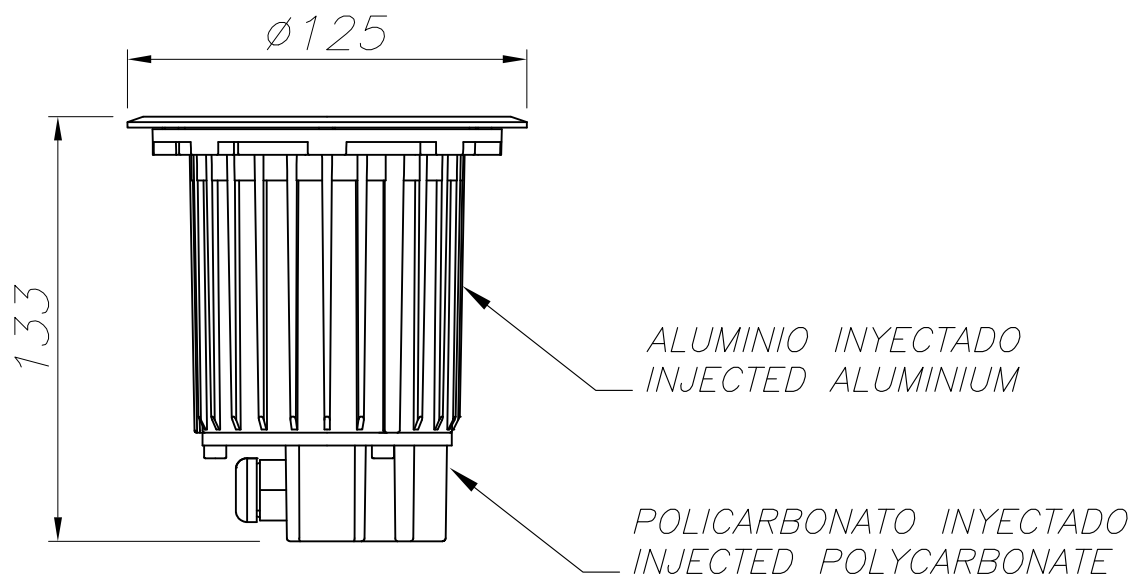
Código 55-9906-CA-CL

Nombre GEA

Flujo Luminaria	868.80 lm	Potencia luminaria	10.00 W	Eficacia	86.88 lm/W	Eficiencia	100.00%
Flujo de Lámpara	868.80 lm	Valor Máximo	6228.66 cd/klm	Posición	C=0.00 G=0.00	CG	Rotosimétrico

Luminance cd/m2 Tabla 3/3

	C 260.00	C 270.00	C 280.00	C 290.00	C 300.00	C 310.00	C 320.00	C 330.00	C 340.00	C 350.00
G 0.0	1162099.62	1162099.62	1162099.62	1162099.62	1162099.62	1162099.62	1162099.62	1162099.62	1162099.62	1162099.62
G 5.0	982038.52	982038.52	982038.52	982038.52	982038.52	982038.52	982038.52	982038.52	982038.52	982038.52
G 10.0	448474.98	448474.98	448474.98	448474.98	448474.98	448474.98	448474.98	448474.98	448474.98	448474.98
G 15.0	219889.03	219889.03	219889.03	219889.03	219889.03	219889.03	219889.03	219889.03	219889.03	219889.03
G 20.0	129838.86	129838.86	129838.86	129838.86	129838.86	129838.86	129838.86	129838.86	129838.86	129838.86
G 25.0	91118.61	91118.61	91118.61	91118.61	91118.61	91118.61	91118.61	91118.61	91118.61	91118.61
G 30.0	60352.34	60352.34	60352.34	60352.34	60352.34	60352.34	60352.34	60352.34	60352.34	60352.34
G 35.0	19040.02	19040.02	19040.02	19040.02	19040.02	19040.02	19040.02	19040.02	19040.02	19040.02
G 40.0	1851.28	1851.28	1851.28	1851.28	1851.28	1851.28	1851.28	1851.28	1851.28	1851.28
G 45.0	1050.72	1050.72	1050.72	1050.72	1050.72	1050.72	1050.72	1050.72	1050.72	1050.72
G 50.0	797.76	797.76	797.76	797.76	797.76	797.76	797.76	797.76	797.76	797.76
G 55.0	651.88	651.88	651.88	651.88	651.88	651.88	651.88	651.88	651.88	651.88
G 60.0	593.38	593.38	593.38	593.38	593.38	593.38	593.38	593.38	593.38	593.38
G 65.0	0.00	0.00	0.00	0.00	0.00	0.00	0.00	0.00	0.00	0.00
G 70.0	0.00	0.00	0.00	0.00	0.00	0.00	0.00	0.00	0.00	0.00
G 75.0	0.00	0.00	0.00	0.00	0.00	0.00	0.00	0.00	0.00	0.00
G 80.0	0.00	0.00	0.00	0.00	0.00	0.00	0.00	0.00	0.00	0.00
G 85.0	0.00	0.00	0.00	0.00	0.00	0.00	0.00	0.00	0.00	0.00
G 90.0	0.00	0.00	0.00	0.00	0.00	0.00	0.00	0.00	0.00	0.00



CAJA DE EMPOTRAR
FLUSH FITTING BOX

