

SHOWER BOARDS



Priority Shower Board
GM6-PS



Non-priority Shower Board
GM8-NPS

Garo Shower Boards are designed to facilitate the use of two electric showers which are being supplied from a domestic 63A single phase supply. Both showers may continually use <3kW of power each, however, when one exceeds this power use the Board will automatically cut the power to the second shower thus protecting the main supply fuse.

There are two types of Shower Boards:

Priority Shower Board (GM6-PS) - This unit allows one designated shower(A) to be given priority of use over the second shower(B). Whenever Shower(A) is using >3kW it will automatically cut the power supply to Shower(B), even if Shower(B) is being used at that time.

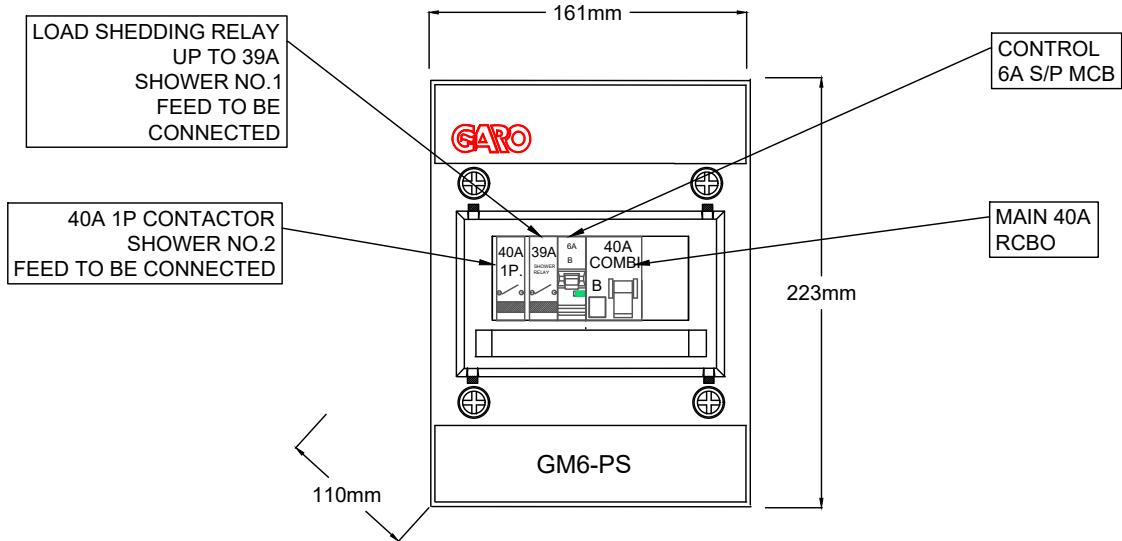
Non-priority Shower Board (GM8-NPS) - Restricts power to one unit at a time. Whichever shower is using >3kW first, remains on. The power to the other shower will be switched off until such time as the shower in use is turned off. Neither shower has priority of use.

TECHNICAL DATA

- degree of protection IP40
- resistance to impact IK08
- auto-extinguishing degree HB (UL94)
- test of resistance to glow wire 650° C
- ball pressure test 70° C

According to 2006/95/CE directive and EN 61439-1 and UNE-EN 61439-3 norms on affected parts.

Priority Shower Board (GM6-PS)



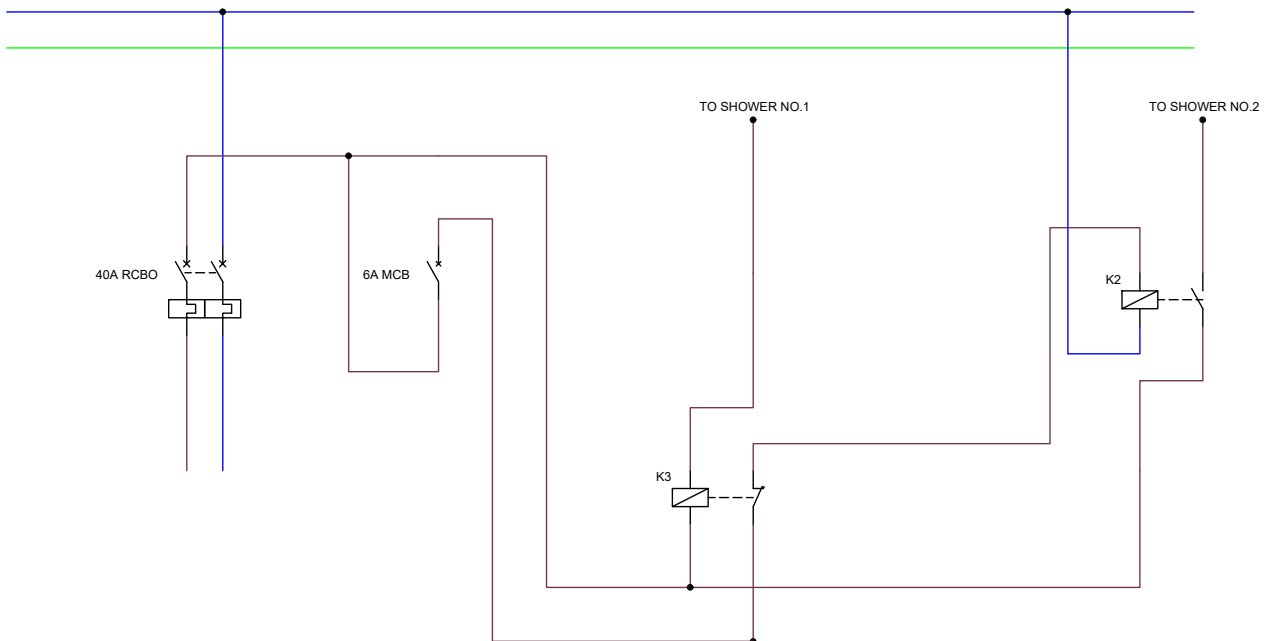
NOTES:

BOTH SHOWERS MUST BE DRAWING OVER 3KW TO WORK.

BOTH SHOWER NEUTRALS TO BE CONNECTED TO MAIN NEUTRAL BAR

MAINS CABLE TO BE CONNECTED TO THE BOTTOM OF 40A RCBO

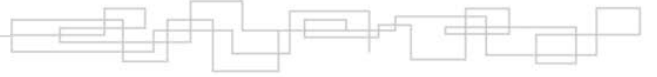
Wiring Schematic - GM6-PS



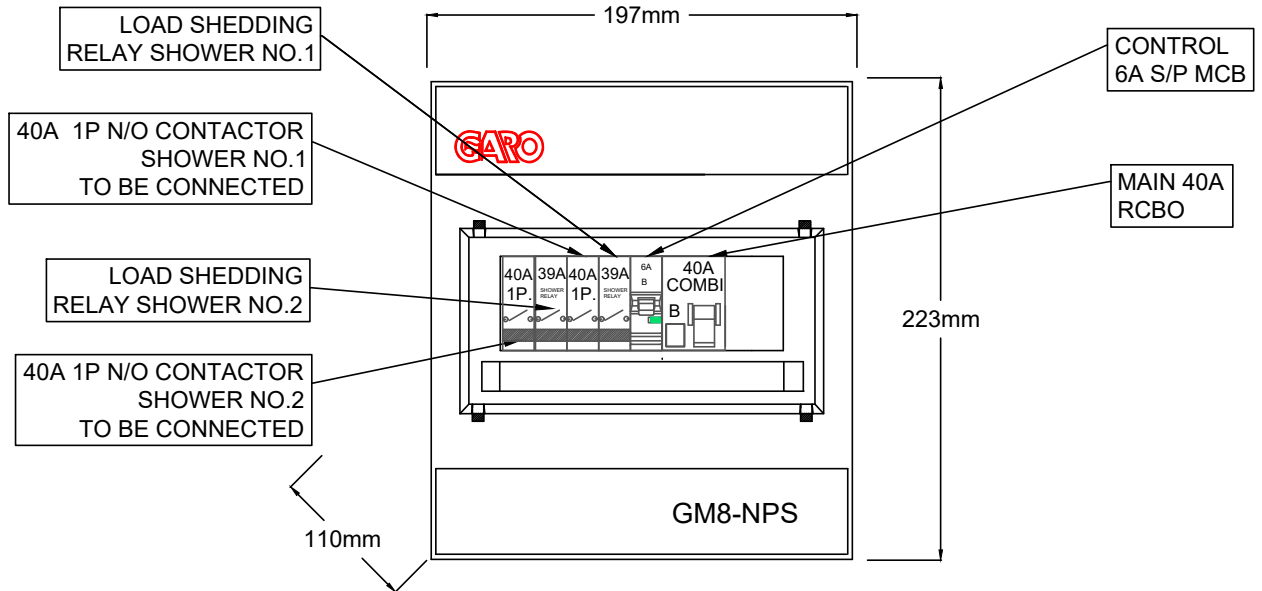
K2 - 40A CONTACTOR

K3 - CURRENT SENSING RELAY (SHOWER NO.1)

****NOTE: UNITS MUST BE DRAWING AT LEAST 11-12 AMPS TO OPERATE



Non-priority Shower Board (GM8-NPS)



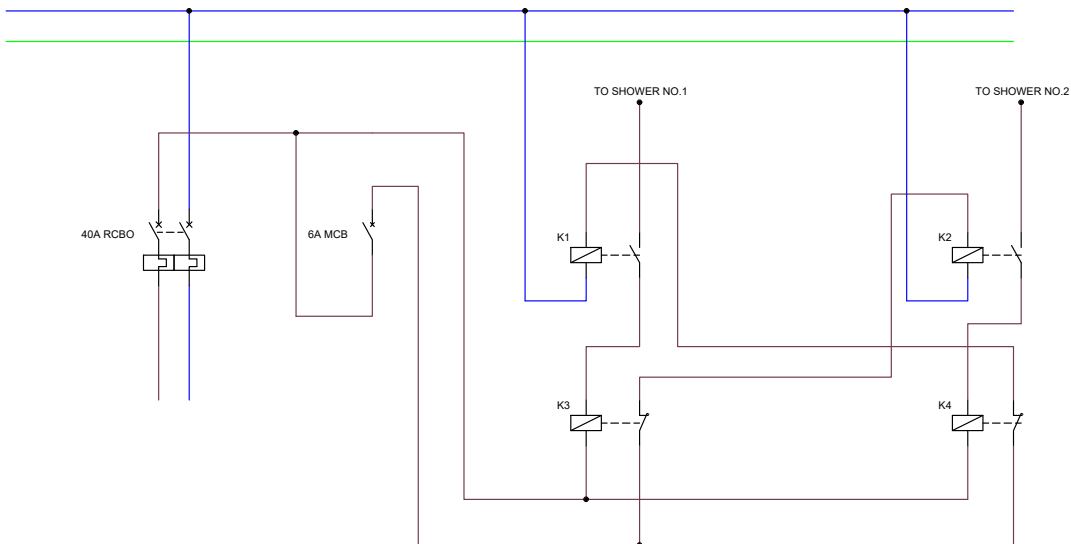
NOTES:

BOTH SHOWERS MUST BE DRAWING OVER 3KW TO WORK.

BOTH SHOWER NEUTRALS TO BE CONNECTED TO MAIN NEUTRAL BAR

MAINS CABLE TO BE CONNECTED TO THE BOTTOM OF 40A RCBO

Wiring Schematic - GM8-NPS



K1 - 40A 1/P CONTACTOR (SHOWER NO.1)

K2 - 40A 1/P CONTACTOR (SHOWER NO.2)

K3 - CURRENT SENSING RELAY (SHOWER NO.1)

K4 - CURRENT SENSING RELAY (SHOWER NO.2)

****NOTE: UNITS MUST BE DRAWING AT LEAST 11-12 AMPS TO OPERATE



Dokument/document Försäkran om överensstämmelse/ Declaration of conformity		Utgava datum/edition date 2011-06-08
Avdelning/department Kvalite/Quality		
Ansvarig/prepared Magnus Arvidsson	Version 3	Sida/page 1 av/of 1

Supplier/Tillverkare: *GARO AB*
Box 203
S-335 25 GNOSJO Telephone: +46 (0)370 33 28 00
Sweden Telefax: +46 (0)370 33 28 50

Supplier established within EU/Ombud etablerad inom EG Telephone:
Telefax:

Supplier of equipment /Materielslag : Consumer unit/Normcentral

Trade Mark/ Varumärke: GARO

Type Designation / Typbeteckning: GM6-PS , GM8-NPS.

We hereby declare that our product fulfils the requirements of following EC directives/
Vi intygar härmed att vår produkt uppfyller krav enligt följande EU direktiv:

- The Low Voltage Directive (LVD) 2006/95/EU / Lågspänningsdirektivet (LVD) 2006/95/EG.
- Electromagnetic compatibility (EMC) 2004/108/EU / Elektromagnetisk kompatibilitet (EMC) 2004/ 108/EG.
- RoHS Directive (RoHS) 2011/65/EU / RoHS direktivet (RoHS) 2011/65/EG.
- No electromagnetic compatibility (EMC) immunity or emission tests are required on the assembly/
Produkten innehåller inte elektroniska apparater som påverkas enligt förbehållen enligt direktivet
(EMC) 2004/108/EG.

The following harmonised standards (latest edition) or technical specifications which comply with good engineering practice in safety matters in force within the EU have been used in the design:/
Följande harmoniserade standarder (senaste utgåva) eller tekniska specifikationer som uppfyller god säkerhetsteknik praxis inom EG har använts i konstruktionen: SS EN 61439-3

The equipment conforms completely with the above stated harmonised standards or technical specifications./
Materielen överensstämmer helt med ovan angivna harmoniserade standarder eller tekniska specifikationer.

Or/eller

- The equipment confirms only partially with the above stated harmonised standards or technical specifications but complies with good practice in safety matters in force within the EU./
Materielen överensstämmer endast delvis med ovan angivna harmoniserade standarder eller tekniska specifikationer, men uppfyller god säkerhetsteknik praxis inom EG.

We have product surveillance according to CENELEC's harmonised requirements, documents CCA-201.

Garo AB
Company/Företag

2013-06-18
Date/Datum


Sign/Underskrift

Environmental- and Quality Manager/Kvalitets- och Miljöchef
Position/Befattning

Magnus Arvidsson
Name / Namnförtydligande