



**THANK YOU FOR VOTING TEXECOM**

# **INSTALLATION MANUAL**

*Veritas 8*

*Veritas 8 Compact*

*Veritas R8*

**Security Control Panels**



**Texecom**

**Table of Contents**

Section	Page
<b>1 Programming Summary</b>	<b>4</b>
1.1 Programming Menu	4
1.1.1 Programming Reference Table	5
1.1.2 Factory Settings	5
<b>2 Installation</b>	<b>6</b>
2.1 Introduction to the Control Panel	6
2.2 Testing the Control Panel (Pre-Installation)	6
2.3 Mounting the Control Panel	6
2.4 Wiring the Control Panel	7
2.4.1 Veritas PCB Layouts	8
2.4.2 Wiring the External Sounder and Strobe	9
2.4.3 Magnetic Contacts and Panic Buttons	12
2.4.4 Powered Detectors	13
2.4.5 Extension Speaker(s)	14
2.4.6 Internal Siren(s)	14
2.4.7 Global System Tamper	14
2.5 Commissioning the System (Initial Power Up)	15
2.6 Servicing the System	16
2.7 Trouble Shooting	17
2.7.1 No Power to the Unit (Mains Only)	17
2.7.2 No Power to the Unit (Battery Only)	17
2.7.3 No Power to the Unit (Mains & Battery)	17
2.7.4 Unit Does Not Accept Code	17
2.7.5 Unit Will Not Set and Bleeps 10 Times	17
2.7.6 Unit Will Not Set and Bleeps 9 Times	18
2.7.7 Unit Will Not Set and Bleeps Between 1 & 8 Times	18
2.7.8 Unit Goes Into False Alarm	18
2.7.9 Unit Makes No Sound	18
2.7.10 System Operates but Remote Keypad Makes No Sound	19
2.7.11 The External Sounder or Strobe Does Not Work	19
2.7.12 The Panic Button Does Not Work	19
2.7.13 The Service Timers Cannot Be Programmed	19
<b>3 Programming</b>	<b>20</b>
3.1 The Programming Menu	20
3.2 Programming the Miscellaneous Selections	20
3.2.1 Miscellaneous Selections Zero ①①	20
3.2.2 Miscellaneous Selections One ①①	21
3.2.3 Miscellaneous Selections Two ①②	22
3.2.4 Miscellaneous Selections Three ①③	22
3.2.5 Engineer Reset	23
3.2.6 Push To Set	24
3.3 Programming the Number of Alarm Activations ①④	24
3.4 Testing the Sounders, Strobe and SW+ ①⑤	24
3.5 Walk Testing ①⑥, ①⑨	25
3.6 Re-Loading the Factory Settings ①⑦	26
3.7 Programming the Switched Positive Output ①⑧	26
3.8 Configuring the Remote Keypad(s) ①⑨	27
3.9 Zone Types	27
3.9.1 Description of Zone Types	27
3.9.2 Programming the Zone Type	29
3.10 Changing Zone Types when Part Setting	30
3.10.1 Programming the Zones that will Change to Entry/Exit ②①	31
3.10.2 Programming the Zones that will Change to Inhibited Entry ②②	31
3.10.3 Programming the Zones that will Change to Guard ②③	31

## Table of Contents

Section	Page	
3.11	Programming the Date and Time	31
3.11.1	Programming the Date ②⑤	32
3.11.2	Programming the Time ②⑥	32
3.12	Programming the Service Timers	32
3.12.1	Programming Service Timer One (Reminder) ②⑦	33
3.12.2	Programming Service Timer Two (Nuisance) ②⑧	33
3.12.3	Programming Service Timer Three (Lockout) ②⑨	33
3.13	Programming the Times ③⑦	33
3.14	The Seven Event Basic Log	34
3.14.1	Clearing the Seven Event Basic Log ④⑩	34
3.14.2	Displaying the Seven Event Basic Log ④⑦	34
3.15	Programming the Suites	35
3.15.1	Programming the Part Set Suites ⑤⑦	35
3.15.2	Programming the Chime Suite ⑤⑤	35
3.15.3	Programming the Double Knock Suite ⑤⑦	35
3.15.4	Programming the Manual Omit Suite ⑤⑧	36
3.15.5	Programming the Zone Disable Suite ④⑧	36
3.15.6	Programming the Zone Soak Test Suite ④⑨	36
3.16	Changing the Engineer Code ⑥⑩	37
<b>4</b>	<b>Technical Specification</b>	<b>38</b>
4.1	Power Supply	38
4.2	Physical	38
4.3	Environmental	38
4.4	Electrical	38
4.5	Fuses	39
4.6	Miscellaneous	39
4.7	Safety Notes	39
4.8	European Standards	40
4.8.1	EN 50131	40
4.9	Warranty	41
<b>5</b>	<b>Installation Records</b>	<b>42</b>
5.1	Installation Details	42
5.2	Maintenance & Call-Out Record	42
5.3	Registered Installer Application Form	43

# 1 Programming Summary

## 1.1 Programming Menu

Programming Option	Option Code	Programming Procedure	Factory Setting
Miscellaneous Selections Zero	0 0	Select/De-select Option Number(s) 1 to 8 Press (PROG.)	
Miscellaneous Selections One	0 1	Select/De-select Option Number(s) 1 to 8 Press (PROG.)	
Miscellaneous Selections Two	0 2	Select/De-select Option Number(s) 1 to 8 Press (PROG.)	
Miscellaneous Selections Three	0 3	Select/De-select Option Number 1 Press (PROG.)	
Number of Alarm Activations	0 4	Enter Number of Alarm Activations ? ? Press (PROG.)	03
Test Sounders, Strobe, SW+	0 5	Press 5 4 3 2 1 in turn Press (RESET)	
Walk Test (Non-Latching)	0 6	Conduct Walk Test Press (RESET)	
Re-Load Factory Settings	0 7	Press (PROG.)	
Switched Positive Output	0 8	Select Function 1 to 8 Press (PROG.)	Set +Ve with Reset (6)
Configure Remote Keypads	0 9	View Display Press (PROG.)	
Zone 1 Zone Type	1 1	Select Zone Type 1 to 8 Press (PROG.)	Entry/Exit (6)
Zone 2 Zone Type	1 2	Select Zone Type 1 to 8 Press (PROG.)	Inhibited Entry (2)
Zone 3 Zone Type	1 3	Select Zone Type 1 to 8 Press (PROG.)	Guard (3)
Zone 4 Zone Type	1 4	Select Zone Type 1 to 8 Press (PROG.)	Guard (3)
Zone 5 Zone Type	1 5	Select Zone Type 1 to 8 Press (PROG.)	Guard (3)
Zone 6 Zone Type	1 6	Select Zone Type 1 to 8 Press (PROG.)	Guard (3)
Zone 7 Zone Type	1 7	Select Zone Type 1 to 8 Press (PROG.)	Guard (3)
Zone 8 Zone Type	1 8	Select Zone Type 1 to 8 Press (PROG.)	Guard (3)
Walk Test (Latching)	1 9	Conduct Walk Test Press (RESET)	
Change into Entry/Exit Suite	2 1	Select Zone Number(s) 1 to 8 Press (PROG.)	Zone 2 Included
Change into Inhibited Entry Suite	2 2	Select Zone Number(s) 1 to 8 Press (PROG.)	No Zones Included
Change into Guard Suite	2 3	Select Zone Number(s) 1 to 8 Press (PROG.)	Zone 1 Included
Program Current Date	2 5	Enter Date DD/MM/YY Press (PROG.)	
Program Current Time	2 6	Enter Time HH:MM:SS Press (PROG.)	
Program Service Timer 1 Date	2 7	Enter Date DD/MM/YY Press (PROG.)	
Program Service Timer 2 Date	2 8	Enter Date DD/MM/YY Press (PROG.)	
Program Service Timer 3 Date	2 9	Enter Date DD/MM/YY Press (PROG.)	
Full Set Exit Time (sec)	3 1	Enter Exit Time ? ? Press (PROG.)	30 sec
Part Set Exit Time (sec)	3 2	Enter Exit Time ? ? Press (PROG.)	30 sec
Full Set Entry Time (sec)	3 3	Enter Entry Time ? ? Press (PROG.)	30 sec
Part Set Entry Time (sec)	3 4	Enter Entry Time ? ? Press (PROG.)	30 sec
Bell Cut-Off Time (min)	3 5	Enter Cut-Off Time ? ? Press (PROG.)	15 min
Error Tone Suspension Time (sec)	3 6	Enter Suspension Time ? ? Press (PROG.)	10 sec
Zone Soak Test time (days)	3 9	Enter Soak Test Time ? ? Press (PROG.)	14 days
Clear Seven Event Basic Log	4 0	Press (PROG.)	
Basic Log Event 1 (most recent)	4 1	View Display (Press $\odot$ for Extended Display) Press (RESET)	
Basic Log Event 2	4 2	View Display (Press $\odot$ for Extended Display) Press (RESET)	
Basic Log Event 3	4 3	View Display (Press $\odot$ for Extended Display) Press (RESET)	
Basic Log Event 4	4 4	View Display (Press $\odot$ for Extended Display) Press (RESET)	
Basic Log Event 5	4 5	View Display (Press $\odot$ for Extended Display) Press (RESET)	
Basic Log Event 6	4 6	View Display (Press $\odot$ for Extended Display) Press (RESET)	
Basic Log Event 7 (least recent)	4 7	View Display (Press $\odot$ for Extended Display) Press (RESET)	
Zone Disable Suite	4 8	Select Zone Number(s) 1 to 8 Press (PROG.)	No Zones Included
Zone Soak Test Suite	4 9	Select Zone Number(s) 1 to 8 Press (PROG.)	No Zones Included
Part Set Suite 1	5 1	Select Zone Number(s) 1 to 8 Press (PROG.)	Zones 5, 6, 7 Omitted
Part Set Suite 2	5 2	Select Zone Number(s) 1 to 8 Press (PROG.)	Zones 5, 6, 7 Omitted
Chime Suite	5 5	Select Zone Number(s) 1 to 8 Press (PROG.)	No Zones Included
Double Knock Suite	5 7	Select Zone Number(s) 1 to 8 Press (PROG.)	No Zones Included
Manual Omit Suite	5 8	Select Zone Number(s) 1 to 8 Press (PROG.)	Zone 1 Omitted
Program Your Own Code PIN	6 0	Enter New Code PIN ? ? ? ? Press (PROG.)	
Display Panel Type	7 0	View Display Press (RESET)	Z1, Z4 On

### 1.1.1 Programming Reference Table

Number	Test Outputs ① ⑤	SW+ Function ① ⑧	Zone Type ① ②	Extended Display
0	All Off			
1	Bell	Set +Ve	PTS	Bell & Global Tamper
2	Strobe	Alarm +Ve & Reset	Inhibited Entry	Power
3	Sounder Lo	Reset	Guard	Lid Tamper (inc. RKP)
4	Sounder Hi	Tamper	Fire	
5	SW+	Mains Fail	Tamper	RKP Off-line
6	Hold-Off	Set +Ve & Reset	Entry/Exit	Code PIN Tamper
7		Walk Test	PA	Keypad PA
8		Entry/Exit	Keyswitch	

### 1.1.2 Factory Settings

Option	Miscellaneous Selections Zero ① ①	Factory Setting
1	Cancel Strobe with Bell	Off
2	Keypad PA (pressing ③ and ⑨ together causes PA alarm)	On
3	Single Button Setting	On
4	Silent Part Set Confirmation Tone	Off
5	EN50131-1 Requirements	Off
6	Time Limit Engineer Access	Off
7	Reset Button Cancels Setting	On
8	Old Style Veritas Sounds (must be selected for older version remote keypads)	Off

Option	Miscellaneous Selections One ① ①	Factory Setting
1	Internal Sounders Only on Unset Tamper Alarm	On
2	Internal Sounders Only on Part Set Zone Alarm	On
3	Internal Sounders Only on Part Set Tamper Alarm	On
4	Silent Part Set (no exit tone on part set)	Off
5	High Level Chime (chime at full volume)	Off
6	Invert Bell Output (negative removed instead of negative applied, useful for SCBs)	Off
7	Final Door Set (system sets 3 seconds after final door closure)	Off
8	Unlock Engineer Code (re-loading factory settings restores default Engineer code)	On

Option	Miscellaneous Selections Two ① ②	Factory Setting
1	Engineer Reset on Any Alarm (see section 3.2.5, page 23)	Off
2	Engineer Reset on Tamper Alarm (see section 3.2.5, page 23)	Off
3	Disable User Ability to Omit Tamper	Off
4	Code PIN Tamper (tamper alarm after 16 invalid key presses when unset)	Off
5	Random Number Remote Reset (RNRR, see section 3.2.5, page 23)	Off
6	Push To Set (see section 3.2.6, page 24)	Off
7	Strobe Flash on Full Set (see section 3.2.3, page 22)	On
8	Invert Switched Positive Output (off = negative removed, on = negative applied)	Off

Option	Miscellaneous Selections Three ① ③	Factory Setting
1	Mains Frequency (off = 50Hz, on = 60Hz)	Off
2	Reserved for Future Use	Off
3	Reserved for Future Use	Off
4	Reserved for Future Use	Off
5	Reserved for Future Use	Off
6	Reserved for Future Use	Off
7	Reserved for Future Use	Off
8	Reserved for Future Use	Off

## 2 Installation

### 2.1 Introduction to the Control Panel

The control panel is designed to maximise user friendliness for both the installer and the user. Programming is usually unnecessary as the **factory settings (section 1.1.2, page 5)** have been carefully selected to suit most installations without alteration. However all functions are fully programmable for **Complete Control**. All programming is stored in a Non Volatile Memory (NVM) and thus all information is retained even in the event of a complete loss of power.

### 2.2 Testing the Control Panel (Pre-Installation)

**Use the following procedure to test the control panel before installation:**

- Remove the screw covers by inserting a screwdriver into the screw cover slot and turning anti-clockwise whilst applying pressure outwards.
- Unscrew the lid screws and remove the lid. Connect the remote keypad as described in the RKP instructions.
- Connect the black battery-lead to the negative (-) terminal of the standby battery and the red battery-lead to the positive (+) terminal of the standby battery. All the zone lights will come on. After 10 seconds the zone lights will turn off and a repeating 9 beep error tone will start.
- **Enter the factory-set User code ④③②①.** The error tone will stop. The Power light will be flashing.
- **Enter the factory-set Engineer code ①②③④ and press **PROG.**** All the zone lights will illuminate.
- **Enter ①⑥.** The zone lights will turn off. The control panel will sound a repeating 9 beep error tone and the Tamper light will be on.
- Remove and replace each zone link in turn. When the link is removed check that the corresponding zone light comes on.
- Finally press the panel (and RKP) lid tamper springs. Check the Tamper light goes out and the panel sounds the quiet exit tone.
- After testing all the zones and tamper disconnect the battery.



NOTE

If the battery is flat or faulty the RKP may not accept key presses.

### 2.3 Mounting the Control Panel

Mount the control panel on a flat, plumb wall using at least three appropriate screws. The rear casing has been designed with a central key-hole slot so that mounting is possible without removing the Printed Circuit Board (PCB). The angled slot in the lower corner has been provided to allow the panel to be levelled easily. If the PCB has to be removed, carefully pull back the two front PCB securing clips, lift the front of the PCB and slide it downward. To replace the PCB simply reverse the above procedure.



- 1) It is essential to ensure that none of the fixing slots or cable entries are accessible after fixing.
- 2) Mains cabling must be secured (e.g. with a cable tie) to one of the anchor points provided.

## 2.4 Wiring the Control Panel

**WARNING: ELECTRICITY CAN KILL**  
**BEFORE connecting the control panel**  
**ALWAYS disconnect the supply at the consumer unit.**  
**If in ANY doubt consult a qualified electrician.**



- 1) ONLY connect the mains supply to the mains terminal block, NEVER connect the mains supply directly to the PCB.
- 2) ALWAYS refer to National Wiring Regulations when conducting installation.
- 3) An appropriate and readily accessible disconnection device (e.g. an unswitched fused spur) MUST be provided as part of the installation.
- 4) The disconnection device must NOT be fitted in a flexible cord.
- 5) Where identification of the neutral in the mains supply is NOT possible a two-pole disconnection device MUST be used.
- 6) The building mains supply MUST incorporate appropriate short-circuit backup protection (e.g. a fuse or circuit breaker) of High Breaking Capacity (HBC, at least 1500A).
- 7) Use mains cable of adequate carrying capacity for the rated current (i.e. at least 0.75mm<sup>2</sup>).



NOTE

- 1) Although the *Veritas* has been designed for maximum compatibility, for optimum performance, it is highly recommended that the *Veritas* should be used with Texecom's range of detectors, sounders and batteries.
- 2) The control panel is supplied with links fitted across the eight zones (Z1 - Z8), the Global System Tamper (TAMP) and Bell Tamper (SAB C, D) to simulate closed circuits:
  - a) These links are removed during installation as each zone is connected.
  - b) If a zone is not required then the link should be left in place.
- 3) Older fridges & freezers can be a source of interference as their motor suppression components age. Avoid connecting the panel to the same ring or spur as a fridge or freezer.

2.4.1 Veritas PCB Layouts

Figure 1 - Veritas PCB Layouts

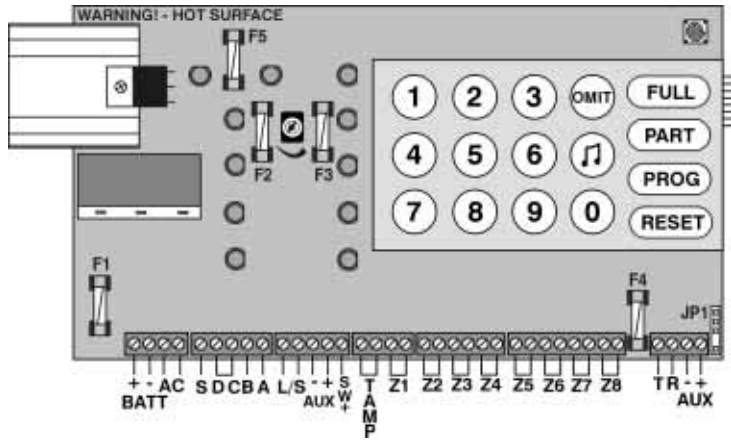


Figure 1a  
Veritas 8 PCB

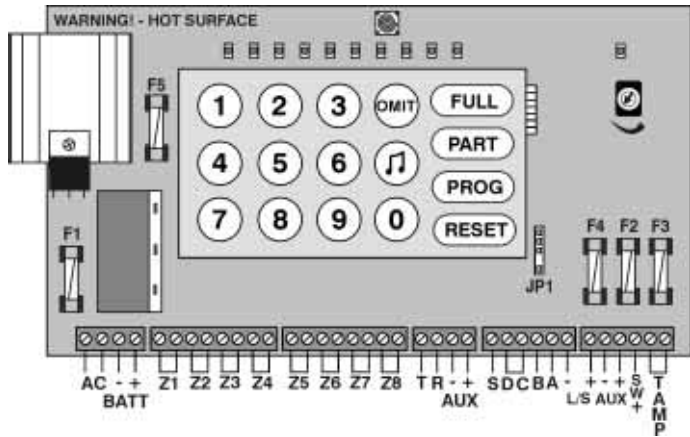


Figure 1b  
Veritas 8 Compact  
PCB

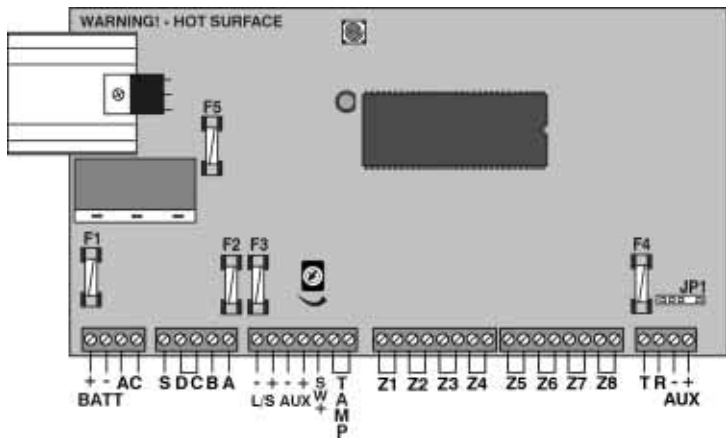


Figure 1c  
Veritas R8 PCB



### 2.4.1.1 PCB Terminals and Fuses

Terminal	Description	Note
AC (2)	Transformer AC in	NOT for mains supply
BATT-	Standby Battery negative	
BATT+	Standby Battery positive	
S	SAB Strobe switched negative	
D	SAB negative Supply	
C	SAB negative Tamper return	
B	SAB Bell switched negative	
A	SAB positive Supply	
L/S (2)	Loudspeaker	
AUX-	Auxiliary Supply negative	use for detectors
AUX+	Auxiliary Supply positive	use for detectors
SW+	Switched Positive output	
TAMP	Global Tamper loop	
Z1 - Z8	Zone loops	
T	Keypad data	
R	Keypad data	
AUX-	Auxiliary Supply negative	use for RKP(s)
AUX+	Auxiliary Supply positive	use for RKP(s)



- 1) A spare mains fuse is supplied in a clip adjacent to the mains terminal block.
- 2) Spare PCB fuses are supplied in a press-seal bag.

Fuse	Description	Rating
F1	Battery fuse	F1A, 250V, 20mm
F2	Bell & Strobe fuse	F1A, 250V, 20mm
F3	L/S & Detector Auxiliary fuse	F500mA, 250V, 20mm
F4	RKP Auxiliary fuse	F500mA, 250V, 20mm
F5	Power Supply Output fuse	F1.6A, 250V, 20mm



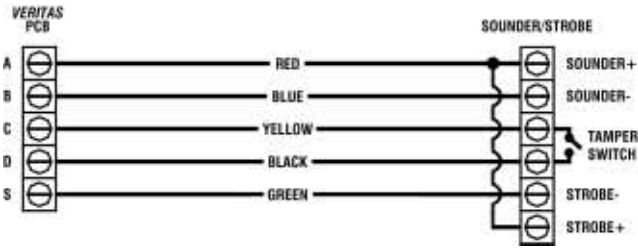
- 1) When replacing a fuse always observe the specified rating and type - failure to do so is dangerous and will invalidate the warranty. Fuses should comply with IEC 127.
- 2) The press-seal bag which contains spare fuses must NOT be stored inside the panel.

### 2.4.2 Wiring the External Sounder and Strobe

Always consult the manufacturer's connection instructions. The external sounder and strobe are connected to the five terminals labelled SAB on the control panel as follows:

Terminal	Description
A	Permanent Positive Supply (+12V)
B	Switched Negative to Activate Sounder
C	Negative Tamper Return
D	Permanent Negative Supply (0V)
S	Switched Negative to Activate Strobe

Figure 2 - Typical SAB Connections



- 1) An external sounder is often referred to as a 'bell' or 'bell-box' even when it is actually an electronic siren.
- 2) The control panel is supplied with a link fitted across the Bell Tamper to simulate a closed circuit. This link would usually be removed during installation.
- 3) If the strobe is a separate unit take the strobe positive supply from 'A' as well.
- 4) A self-activating bell/sounder (SAB) has a built-in battery. After connecting this battery the sounder will usually sound until its cover is fitted and it is supplied with power from the control panel.
- 5) Terminal B may be programmed as switched negative removed rather than switched negative applied to activate sounder (section 3.2.2, page 21). This is useful for SCBs where B would then be used to provide the permanent negative supply.

2.4.2.1 Popular SAB Wiring Diagrams

The following diagrams illustrate how to connect the control panel to the most popular makes of SAB:

Figure 3 - Common SAB Connections

Figure 3a - *Texecom Azura 360 Tempest / Odyssey Series*



Figure 3b - MAS Modular 3

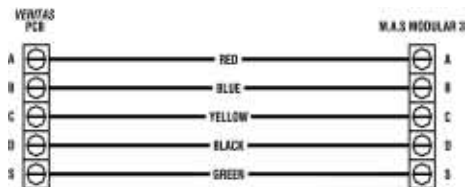


Figure 3c - Citadel Defender

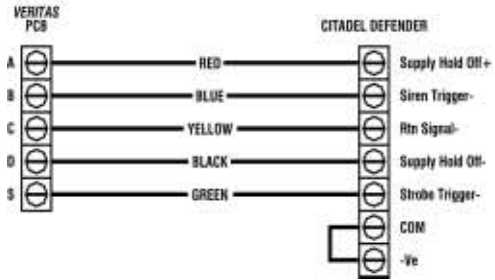


Figure 3d - Volumatic Flashguard

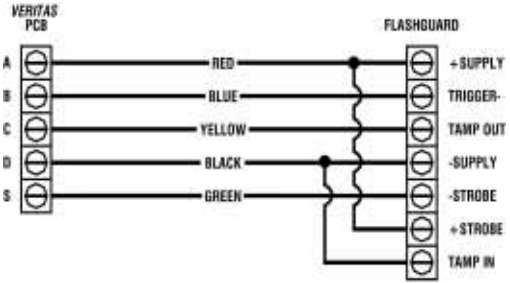


Figure 3e - Gardiner Technology Novagard 2

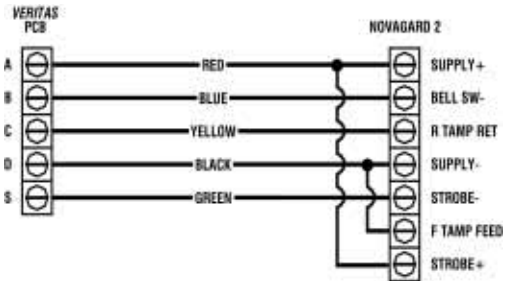


Figure 3f - Activeguard AU101

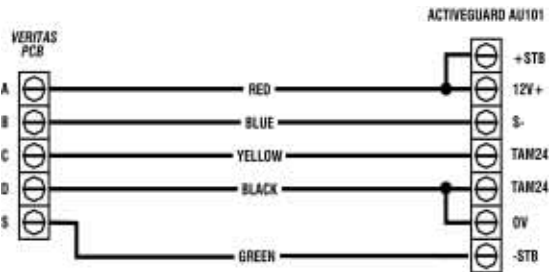
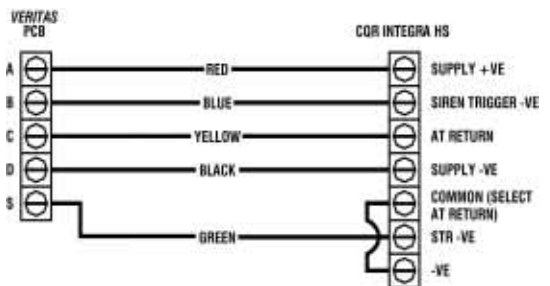


Figure 3g - CQR Integra HS



### 2.4.3 Magnetic Contacts and Panic Buttons

These are connected to one of the eight terminal pairs labelled Z1 to Z8 on the control panel.

Figure 4 - Wiring Magnetic Contacts

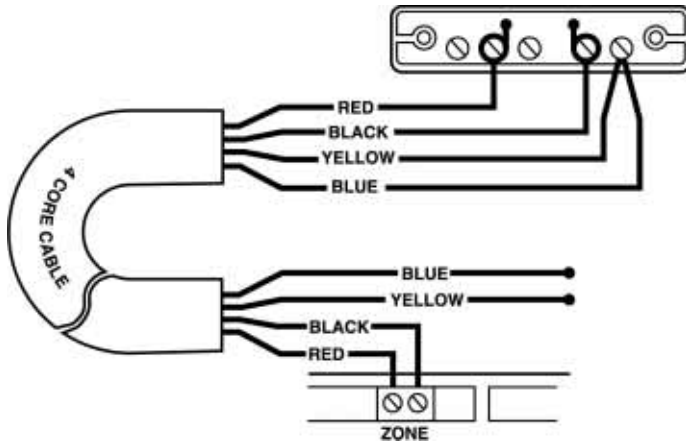


Figure 4a - Wiring a Single Magnetic Contact to a Zone (see also Figure 6)

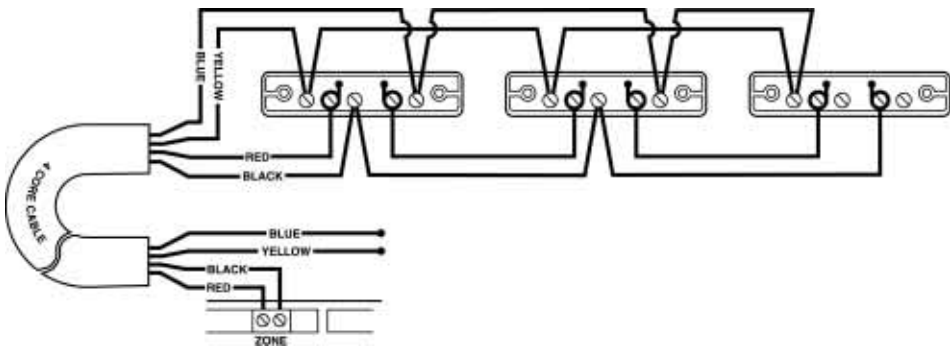


Figure 4b - Wiring Multiple Magnetic Contacts to a Zone (see also Figure 6)



Mixing powered detectors and magnetic contacts on one zone is easiest if the wiring is taken from the control panel to the powered detectors first.

### 2.4.4 Powered Detectors

Always consult the manufacturer's connection instructions. Powered detectors are connected to one of the eight terminal pairs labelled Z1 to Z8 on the control panel and are powered from the two terminals labelled AUX on the control panel as follows:

Terminal	Connect To	Suggested Colour
AUX+	Detector Positive Supply (+12V)	White
AUX-	Detector Negative Supply (0V)	Green

Figure 5 - Wiring Powered Detectors

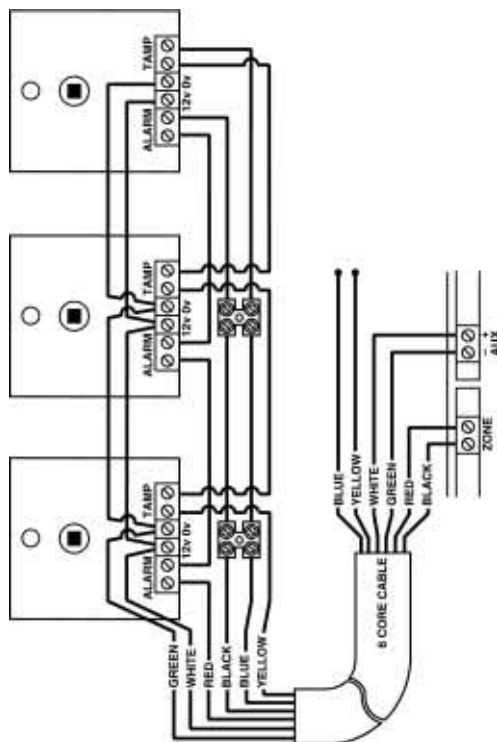
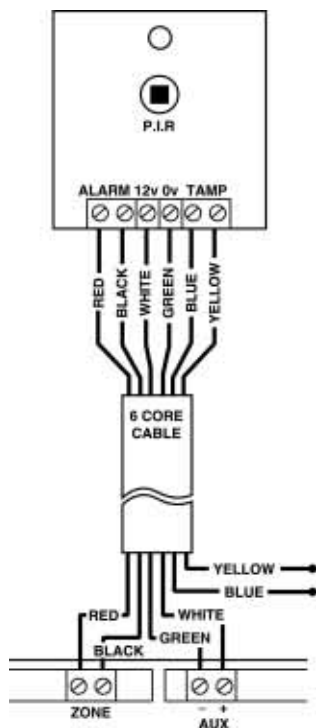


Figure 5a - Wiring a Single Powered Detector to a Zone (see also Figure 6)

Figure 5b - Wiring Multiple Powered Detectors to a Zone (see also Figure 6)



- 1) Power is wired in parallel, whereas normally closed alarm loops are wired in series, (normally open alarm loops are wired in parallel).
- 2) Mixing powered detectors and magnetic contacts on one zone is easiest if the wiring is taken from the control panel to the powered detectors first.
- 3) BS 4737 requires that if two or more powered detectors are connected to one zone, they must each have an audible or visual latching indication or both, except on an entry/exit route.

**2.4.5 Extension Speaker(s)**

These are connected to the two terminals on the control panel labelled L/S.



- 1) The total load including the built-in speaker must not be less than 4Ω (e.g. 2 x 8Ω speakers in parallel, 4 x 16Ω speakers in parallel, 2 x 2Ω speakers in series, 4 x 1Ω speakers in series, etc.)
- 2) The polarity of extension speakers is usually unimportant. However the polarity of the L/S terminals is indicated with + and - markings.

**2.4.6 Internal Siren(s)**

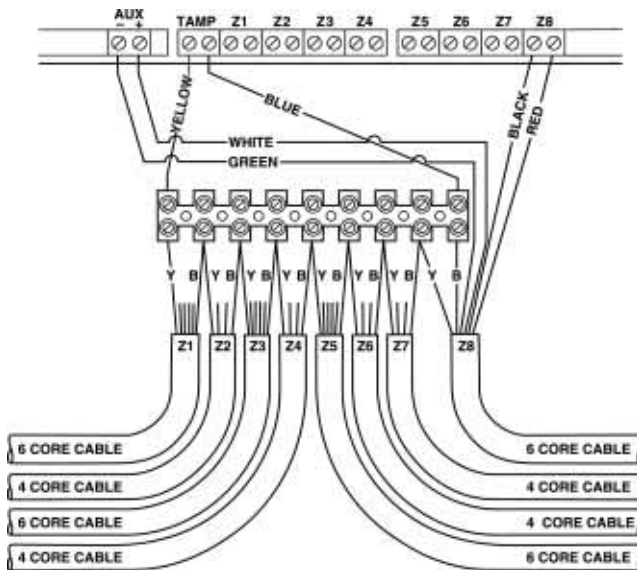
If required these are connected to two of the external sounder connections, in addition to the external sounder, as follows:

Terminal	Connect To
A	Siren Positive Supply (+12V)
B	Siren Negative Activate/Negative Supply (0V)

**2.4.7 Global System Tamper**

This is connected to the terminal pair labelled TAMP on the control panel. All the individual zone tamper loops should be wired in series.

**Figure 6 - Wiring the Global System Tamper**



- 1) The control panel is supplied with a link fitted across the Global System Tamper to simulate a closed circuit. This link would usually be removed during installation.
- 2) Most detectors have normally closed contacts which should be wired in series. Normally open detectors (e.g. pressure mats) can also be used but should be wired between a zone and the Global System Tamper.

## 2.5 Commissioning the System (Initial Power Up)

### **ALWAYS Ensure the mains is off BEFORE removing the front cover**

- Connect the black battery lead to the negative (-) terminal of the standby battery and the red battery lead to the positive (+) terminal of the standby battery. All the indicator lights will come on. After 10 seconds the zone lights will turn off and a repeating 9 bleep error tone will start.
- **Enter the factory set User code ④③②①.** The error tone will stop.
- **Enter the factory set Engineer code ①②③④ and press (PROG.)** to access the Programming Menu and disable 24 Hour zones (Fire, PA and Tamper) via the Engineer code. All the zone lights will illuminate.
- Perform a Walk Test as described in section 3.5, page 25. Remember that some powered detectors (e.g. PIRs and Combined Technology Detectors) take several minutes to warm up and become operational.
- Test the internal sounder, external sounder and strobe as described in section 3.4, page 24. To adjust the low-level volume use the control 'pot' on the PCB (see section 2.4.1, page 8), loudness increases anti-clockwise. If the system fails to operate as expected check that the mounting and wiring are as per the instructions.
- Correct any mistakes and repeat the test (see section 2.7, page 17 on Trouble Shooting).
- Replace the lid and secure with the two lid screws supplied - **do not over-tighten.**
- Replace the screw covers.
- **Press (RESET)** to leave the Programming Menu. All the zone lights will turn off.
- The Power light will be flashing to indicate that action is required. Switch on the mains supply to the control panel. The Power light will stop flashing and stay on continuously. If the factory settings (section 1.1.2, page 5) are not appropriate then re-program the system as described in section 3, page 20.
- If you have a meter:
  - Disconnect the battery & check the total non-alarm current is less than 1A.
  - Reconnect the battery & check the total alarm current is not more than 1A.
- The total current is measured as follows:
  - Set your meter to DC current.
  - Connect your meter across F5 (power supply fuse).
  - Remove F5.
  - Record the current drain.
  - Replace F5.
  - Remove your meter.



To avoid accidentally powering down the system be sure to follow **all** the above steps **in order**.

### **Installation is now complete and the system is ready for use.**



- 1) If the battery is flat or faulty the RKP may not accept key presses.
- 2) When the system is full set, after the exit period, the external strobe will flash for approximately 6 seconds (this option can be de-selected, section 3.2.3, page 22).

## 2.6 Servicing the System

**ALWAYS Ensure the mains is off BEFORE removing the front cover**



- 1) The Power light on the control panel is a status indicator for the battery charging circuit, a steady light meaning normal. A flashing light means action required - **mains power can still be present**. ALWAYS use a suitable mains test instrument to confirm that mains power is no longer present.
  - 2) The transformer and heatsink may be hot during and after use - do NOT touch.
- Test the internal sounder, external sounder and strobe as described in section 3.4, page 24. Perform a Walk Test as described in section 3.5, page 25. Basic Log events may be viewed by following the procedure described in section 3.14, page 34.
  - If it is necessary to remove the lid, first switch off the mains supply to the control panel. Ensure that the Power light is flashing, then use a suitable mains test instrument to confirm mains power is no longer present.
  - **Enter the 4 digit Engineer code ( ? ? ? ? ) and press ( PROG )** to access the Programming Menu and disable 24 Hour zones via the Engineer code. All the zone lights will illuminate.
  - Remove the screw covers by inserting a screwdriver into the screw cover slot and turning anti-clockwise whilst applying pressure outwards.
  - Unscrew the lid screws and remove the lid.
  - On completion replace the lid and secure with the lid screws - **do not over-tighten**.
  - Replace the screw covers.
  - **Press ( RESET )** to leave the Programming Menu. All the zone lights will turn off.
  - Switch on the mains supply to the control panel. The Power light will stop flashing and stay on continuously.



## 2.7 Trouble Shooting

### **ALWAYS Ensure the mains is off BEFORE removing the front cover**



When replacing a fuse always observe the specified rating and type - failure to do so is dangerous and will invalidate the warranty. Fuses should comply with IEC 127.

#### 2.7.1 No Power to the Unit (Mains Only)

- Check the mains block fuse and replace if blown.
- Check for any loose wires at the mains block, the transformer and the AC terminals on the PCB.
- Check the mains block is connected correctly; live to live (brown), neutral to neutral (blue).

#### 2.7.2 No Power to the Unit (Battery Only)

- Check the battery fuse F1 and replace if blown.
- Check for any loose wires at the BATT terminals on the PCB.
- Check that the battery wires are connected correctly; red from BATT+ to the battery positive (+), black from BATT- to the battery negative (-).

#### 2.7.3 No Power to the Unit (Mains & Battery)

- Check the power supply output fuse F5 and replace if blown.
- Disconnect all wires from the control panel SAB A and AUX+ terminals.
- Check that links are only fitted in the correct places.
- Check there are no wires shorting to the underside of the PCB.
- Repeated blowing of the battery fuse F1 may indicate a faulty battery.

#### 2.7.4 Unit Does Not Accept Code

- If using more than one RKP, check that each RKP has a different address.
- If using one or more RKPs, check that they are wired correctly.
- If the remote keypad was connected after the control panel was powered up, disconnect all power momentarily and reconnect. This automatically configures all remote keypads on the system, (see also section 3.8, page 27).
- Check you are using the correct codes. Factory-set Engineer code is ①②③④. Factory-set User code is ④③②①.
- If using one or more RKPs on battery only, try using mains as the battery may be flat.
- Check that the codes have not been changed. If the codes have been lost see section 3.6, page 26.
- Check that the membrane keypad tail is all the way home in its connector on the PCB.

#### 2.7.5 Unit Will Not Set and Bleeps 10 Times

The Power light on the panel will be flashing to indicate a power fault, either mains fail or battery low volts.

- The mains frequency may be set incorrectly (section 3.2.4, page 22).
- The procedure for setting the system in the event of a power fault is described in the User Guide.

## 2.7.6 Unit Will Not Set and Bleeps 9 Times

The system has a tamper fault and the Tamper light will be on. Using the extended display during Walk Test (section 3.5, page 25) identify the cause of the tamper fault:

- If the extended display identifies the fault as bell box tamper, then the cause may either be Bell Tamper or Global System Tamper. Temporarily replace the system tamper link (TAMP):
  - If the tamper fault persists then it is due to the Bell Tamper - check the bell wiring, the bell lid and/or screw tamper, and the bell wall tamper (if fitted).
  - If the tamper fault clears then it is due to the system tamper. Remove the system tamper link and the tamper fault will reappear - check the system tamper wiring and the lid tamper on all detectors.
- **Remove ALL temporary links.**
- If the extended display identifies the fault as lid tamper, it may refer either to the control panel or the remote keypad(s). Try stretching the springs and ensure all connections are secure.
- To set the system with a tamper fault use the following procedure:
- **Enter the User code** **?****?****?****?**. **Press** **FULL** or **PART**. The system will sound a repeating series of 9 bleeps. **Press** **OMT**. The display will illuminate the zones that are about to be armed. **Press** **9**. The Tamper light will turn off. **Press** **PROG**. The exit tone and exit timer will start.
- To prevent repeated false alarms due to an intermittent tamper fault when the system is unset, omit Tamper as described above, then abort the setting procedure by re-entering the User code.
- To prevent Tamper from being omitted see section 3.2.3, page 22.

## 2.7.7 Unit Will Not Set and Bleeps Between 1 & 8 Times

The system has one or more zone faults and the corresponding zone light(s) will be on.

- Ensure that the zone is closed (doors shut, no movement in PIR detection area).
- Check the zone wiring and ensure all connections are secure.
- Check that detectors are powered correctly (i.e. correct polarity).

## 2.7.8 Unit Goes Into False Alarm

- Check that the terminal screws are fully down on all terminals **but do not over tighten**.
- If you have a meter use it to check the loop resistance (wires that run under carpets are easily damaged).

## 2.7.9 Unit Makes No Sound

- Check that the variable resistor (pot) on the PCB which controls the volume of low level tones is NOT turned fully clockwise. The volume increases as the pot is turned anti-clockwise.
- Check the L/S (& detector auxiliary) fuse F3 and replace if blown.
- Check the speaker connections to the L/S terminals on the PCB.

### 2.7.10 System Operates but Remote Keypad Makes No Sound

- If an older version remote keypad has been fitted the system must be programmed for old style sounds as follows: **Enter the Engineer code** **???**, **press** **PROG.**, **enter** **00**, **press** **8**, **press** **PROG.**, **press** **RESET**.

### 2.7.11 The External Sounder or Strobe Does Not Work

- Check wiring connections by referring to the diagrams in section 2.4.2.1, page 10.
- Check the bell & strobe fuse F2 and replace if blown.
- To check the external sounder make a temporary connection between SAB B and D.
- To check the strobe make a temporary connection between SAB S and D.

### 2.7.12 The Panic Button Does Not Work

- Check that the Zone Type of the zone to which the panic button is connected is programmed as PA (section 3.9, page 27).
- Check that the zone to which the panic button is connected is not omitted in part set (section 3.15.1, page 35).
- Check that the Zone Type of the zone to which the panic button is connected is not changed in part set (section 3.10, page 30).
- Older version remote keypads do NOT support Keypad PA (pressing **3** and **9** together), see section 2.7.10, page 19.

### 2.7.13 The Service Timers Cannot Be Programmed

Programming the service timers (**27**, **28**, **29**) is prevented unless the current date (**25**) has been programmed since the last power-up (section 3.11.1, page 32).

# 3 Programming

Programming is usually unnecessary as the factory settings have been carefully selected to suit most installations without alteration. However all functions are fully programmable for Complete Control.

## 3.1 The Programming Menu

The Programming Menu can only be accessed when the control panel is unset. **Enter your 4 digit Engineer code (factory set to ①②③④). Press (PROG).** All the zone lights will illuminate. The various programming options are then selected by entering a 2 digit Option code ②②. The Programming Procedure (section 1.1, page 4) then depends upon the programming option selected as detailed in the following sections. On completion, each programming option reverts to the Programming Menu, allowing other programming options to be accessed. To exit the Programming Menu **press (RESET)**, the system will revert to unset.



- 1) To abort programming at any stage (and preserve the original setting) press **(RESET)**, the system will revert to the Programming Menu.
- 2) 24 Hour zones (Fire, PA and Tamper) are disabled when the Programming Menu is accessed via an Engineer code.
- 3) To omit zones, set chime or change the User code, refer to the User Guide.
- 4) The system programming is retained even in the event of complete loss of power.

## 3.2 Programming the Miscellaneous Selections

There are four sets of Miscellaneous Selections which control the behaviour of various system functions.

### 3.2.1 Miscellaneous Selections Zero ①①

From the Programming Menu, **enter ①①**. The zone lights of the options currently selected will illuminate. **Press the appropriate numbered button(s) to select or de-select the corresponding option(s) as shown on the display. Press (PROG).** The system will chime to confirm that the new options have been accepted. The system will then automatically revert to the Programming Menu and all the zone lights will illuminate.

Option	Miscellaneous Selections Zero	Factory Setting
1	Cancel Strobe with Bell	Off
2	Keypad PA (pressing ③ and ⑨ together causes PA alarm)	On
3	Single Button Setting	On
4	Silent Part Set Confirmation Tone	Off
5	EN50131-1 Requirements	Off
6	Time Limit Engineer Access	Off
7	Reset Button Cancels Setting	On
8	Old Style Veritas Sounds (must be selected for older version remote keypads)	Off



- 1) Single Button Setting (Option 3) allows the system to be set using the **FULL** or **PART** keys without the need to first enter a User code.
- 2) EN50131-1 Requirements (Option 5) invokes the following features (see section 4.8.1, page 40):
  - a) Reset (after an alarm) requires the use of a User code.
  - b) An entry alarm (defined as an entry timeout or, a Guard zone activation during the entry period) invokes a 30 second delay during which the communicator output and external sounder are suppressed (i.e. the alarm response is limited to the internal sounder(s) and external strobe for the first 30 seconds).
  - c) On unsetting the system the Unset light will extinguish after 30 seconds.
  - d) On unsetting the system omitted zones will be re-included.
- 3) If Option 6 is selected the control panel will only accept Engineer codes for the first 30 seconds after the system is unset (i.e. while the Unset light is on if Option 5 is also selected).
- 4) Option 7 allows setting to be aborted by pressing the **RESET** button. It is particularly useful if Single Button Setting (Option 3) is selected but may be used independently.
- 5) Silent Part Set Confirmation Tone (Option 4) will only function if Silent Part Set (section 3.2.2, page 21) is also selected.
- 6) Option 8 must be selected if older version remote keypads are used.

### 3.2.2 Miscellaneous Selections One ① ①

From the Programming Menu, enter ①①. The zone lights of the options currently selected will illuminate. **Press the appropriate numbered button(s) to select or de-select the corresponding option(s) as shown on the display. Press **PROG**.** The system will chime to confirm that the new options have been accepted. The system will then automatically revert to the Programming Menu and all the zone lights will illuminate.

Option	Miscellaneous Selections One	Factory Setting
1	Internal Sounders Only on Unset Tamper Alarm	On
2	Internal Sounders Only on Part Set Zone Alarm	On
3	Internal Sounders Only on Part Set Tamper Alarm	On
4	Silent Part Set (no exit tone on part set)	Off
5	High Level Chime (chime at full volume)	Off
6	Invert Bell Output (negative removed instead of negative applied, useful for SCBs)	Off
7	Final Door Set (system sets 3 seconds after final door closure)	Off
8	Unlock Engineer Code (re-loading factory settings restores default Engineer code)	On



- 1) If Option 8 is selected (Zone 8 light is on) then Re-loading the Factory Settings **WILL** restore the default Engineer code. If Option 8 is de-selected (Zone 8 light is off) then Re-loading the Factory Settings **WILL NOT** restore the default Engineer code.
- 2) Locked Engineer codes cannot be unlocked without the correct Boss Engineer code.
- 3) Unlocking a locked Engineer code that has been lost is subject to a minimum charge.



**Disclaimer:**

It is the responsibility of the Installer to guard against losing locked Engineer codes. Texecom accept no liability whatsoever for any loss resulting from locked Engineer codes.

**3.2.3 Miscellaneous Selections Two ①②**

From the Programming Menu, **enter ①②**. The zone lights of the options currently selected will illuminate. **Press the appropriate numbered button(s) to select or de-select the corresponding option(s) as shown on the display. Press (PROG.)**. The system will chime to confirm the new options have been accepted. The system will then automatically revert to the Programming Menu and all the zone lights will illuminate.

Option	Miscellaneous Selections Two	Factory Setting
1	Engineer Reset on Any Alarm (see section 3.2.5, page 23)	Off
2	Engineer Reset on Tamper Alarm (see section 3.2.5, page 23)	Off
3	Disable User Ability to Omit Tamper	Off
4	Code PIN Tamper (tamper alarm after 16 invalid key presses when unset)	Off
5	Random Number Remote Reset (RNRR, see section 3.2.5, page 23)	Off
6	Push To Set (see section 3.2.6, page 24)	Off
7	Strobe Flash on Full Set	On
8	Invert Switched Positive Output (off = negative removed, on = negative applied)	Off

**3.2.4 Miscellaneous Selections Three ①③**

From the Programming Menu, **enter ①③**. The zone lights of the options currently selected will illuminate. **Press the appropriate numbered button(s) to select or de-select the corresponding option(s) as shown on the display. Press (PROG.)**. The system will chime to confirm that the new options have been accepted. The system will then automatically revert to the Programming Menu and all the zone lights will illuminate.

Option	Miscellaneous Selections Three	Factory Setting
1	Mains Frequency (off = 50Hz, on = 60Hz)	Off
2	Reserved for Future Use	Off
3	Reserved for Future Use	Off
4	Reserved for Future Use	Off
5	Reserved for Future Use	Off
6	Reserved for Future Use	Off
7	Reserved for Future Use	Off
8	Reserved for Future Use	Off



If the wrong Mains Frequency is selected the panel will indicate a power fault.

### 3.2.5 Engineer Reset

The following events can be programmed to require a subsequent Engineer Reset:

- Any Alarm (section 3.2.3, page 22)
- Tamper Alarm (section 3.2.3, page 22)
- Service Timer Three Expiry (section 3.12.3, page 33)

Engineer Reset prevents the user from resetting the system. Engineer Reset can be cleared by:

- Entering an Engineer code
- Entering an RNRR code (if selected - section 3.2.3, page 22)

Engineer Reset is not in itself a method of resetting the system - a subsequent User Reset will still be required. User Reset is accomplished by:

After an Alarm has been Silenced:

- Pressing **RESET** (unless EN50131-1 Requirements is selected - section 3.2.1, page 20)
- Entering a User code

At other times:

- Entering a User code and pressing **RESET**



- 1) When an Engineer Reset is required the user can still silence the alarm and cancel the strobe but cannot reset the system.
- 2) RNRR is a method of clearing Engineer Reset. It will not function unless at least one Engineer Reset is selected.
- 3) If RNRR (sometimes called Anti-Code Reset or Scramble Reset) is selected then:
  - a) When an Engineer Reset is required, the zone lights will display a random 4 digit sequence. Each digit will flash in turn and then pause before repeating. Texecom's Anti-Code software will accept this sequence to generate a 4 digit code which should be entered, after which the system can be reset as normal. Anti-Code software is available from Texecom.
  - b) The user can press the **RESET** key to toggle between the RNRR display and the alarm display.
  - c) The User Guide has a section to fill in the phone number(s) where the user may obtain the Anti-Code.
  - d) Random Number Remote Reset satisfies the requirements of NACP 10, Issue 2, Section 11.2b.

## 3.2.6 Push To Set

Push to Set is intended to reduce false alarms due to user error when full setting the system. The user starts full set in the usual way and leaves the premises. However the system will ONLY set when an external push button is pressed.



- 1) The Zone Type of the zone to which the external push button is connected must be programmed as Push to Set (section 3.9, page 27):
  - a) If this zone is set to chime (see User Guide) then the push button can double up as a door bell.
  - b) The external push button should be waterproof unless it is located in an enclosed porch.
- 2) Push to Set does not operate in part set.
- 3) Push to Set satisfies the requirements of NACP 14, Issue 1, Section 2.1.2.

## 3.3 Programming the Number of Alarm Activations ①④

From the Programming Menu, **enter** ①④. All the zone lights will turn off. **Enter the desired number of Alarm Activations as a two digit number** (e.g. for three Activations, enter ①③). Zone 1 light will illuminate when the first digit is entered. Zone 2 light will illuminate when the second digit is entered. **Press** (PROG). The control panel will chime to confirm that the new number of Activations has been accepted. The system will then automatically revert to the Programming Menu and all the zone lights will illuminate.



The total number of Activations should not be less than 01.

## 3.4 Testing the Sounders, Strobe and SW+ ①⑤

From the Programming Menu, **enter** ①⑤. All the zone lights will turn off. The system outputs may be tested as follows:

Key	Function
⑥	Invoke bell box hold-off mode
⑤	Toggle the SW+ output
④	Toggle the internal sounder at high level (alarm level)
③	Toggle the internal sounder at low level (entry/exit level)
②	Toggle the strobe output
①	Toggle the external sounder (bell) output
①	Turn off all of the above





- 1) The zone light corresponding to each output will illuminate when it is on.
- 2) Several Texecom bell boxes feature a unique, patented "Engineer Hold-Off Mode" which disables Self-Activate on Lid Tamper to facilitate convenient servicing. Option ⑥ will cause the strobe output to pulse 3 times to invoke Hold-Off Mode. Zone 2 light will flash to indicate the strobe pulsing after which Zone 6 light will illuminate to indicate that Hold-Off Mode has been invoked. (See bell box instructions for more details).

Press **RESET** to return to the Programming Menu. All the zone lights will illuminate.

### 3.5 Walk Testing ①⑥, ①⑨

The control panel has two Walk Test modes, Latching and Non-Latching. During Walk Test when any zone is opened the corresponding zone light will illuminate. When the zone is closed the zone light will go out in Non-Latching Walk Test, but will remain on in Latching Walk Test.

From the Programming Menu, **enter ①⑥ to select Non-Latching Walk Test, or ①⑨ to select Latching Walk Test.** Initially all the zone lights will turn off and the control panel will sound the quiet exit tone. When any zone is opened, the corresponding zone light will illuminate. The control panel will, in addition, sound a repeating series of bleeps corresponding to the open zone number (i.e. Zone 1 bleeps once, Zone 2 bleeps twice, etc.). If more than one zone is open, the bleeps will correspond to the highest zone number (e.g. if Zone 2 and Zone 6 are open, the control panel will bleep 6 times).

Conduct a Walk Test by triggering each of the system's detection devices in turn and check that the control panel registers the corresponding zone as open.

If the Tamper light is on and the panel bleeps 9 times an extended display reveals more information about the source of the tamper fault(s). To toggle between the normal display and the extended display **press OMIT**. The extended display is distinguished from the normal display by the Unset light being off. In the extended display the zone lights are interpreted as follows:

Zone Light	Description
1	Bell Tamper (including Global System Tamper)
2	Not Applicable
3	Lid Tamper (including RKP Lid Tamper)
4	Not Applicable
5	RKP Off-Line
6	Not Applicable
7	Not Applicable
8	Not Applicable

To terminate Walk Test **press RESET**. The system will return to the Programming Menu and all the zone lights will illuminate.

### 3.6 Re-Loading the Factory Settings ①⑦

From the Programming Menu, **enter** ①⑦. All the zone lights will turn off. **Press** (PROG.). The system will chime to confirm that all the factory settings have been re-loaded into the Non Volatile Memory. The system will then automatically revert to the Programming Menu and all the zone lights will illuminate.

If the Engineer code has been lost, provided it has not been locked (section 3.2.2, page 21) **power down the system** (mains and battery). **Restore power**. All the indicator lights will illuminate for 10 seconds. **Press** (RESET), or SLOWLY press and release the panel lid tamper spring 3 times, before the indicator lights turn off. The factory settings have now been re-loaded into the Non Volatile Memory.



- 1) Unlocking a locked Engineer code that has been lost is subject to a minimum charge.
- 2) Re-loading factory settings will not clear the Event Log (see section 3.14.1, page 34).
- 3) The system will bleep each time the panel lid tamper spring is pressed and released during the first 10 seconds after power up.

### 3.7 Programming the Switched Positive Output ①⑧

From the Programming Menu, **enter** ①⑧. The zone light of the function currently selected will illuminate. **Press the number of the function required** from the following list. **Press** (PROG.). The system will chime to confirm the new function has been accepted. The system will automatically revert to the Programming Menu and all the zone lights will illuminate.

Number	SW+ Function
1	Set Positive (latching detectors)
2	Alarm Positive with Latching Sensor Reset (FTA detectors)
3	Latching Shock Sensor Auto-Reset (old style latching shock sensors)
4	Tamper
5	Mains Fail
6	Set Positive with Latching Sensor Reset (latching detectors)
7	Walk Test
8	Entry/Exit

If connecting multiple detectors to one zone then:

- Latching detectors will indicate which detector(s) activated during an alarm.
- First to Alarm (FTA) detectors will indicate which detector caused an alarm and which detectors were then activated during the alarm.

Option 3 would typically be used with older designs of latching shock sensor which do not have a Latch input and must be powered down to clear the Latch indication. In this case the detectors would be powered from the SW+ output.



- 1) If selecting one of the options which incorporate latching sensor reset (2, 3 or 6) the user can force a latching sensor reset, to clear the Latch/FTA indication, by **entering their code and pressing (RESET)**.
- 2) The SW+ output can only sink (not source) current. If powering detectors from the SW+ output, connect the detector +Ve to AUX+ and the detector -Ve to SW+. It may be necessary to invert the SW+ polarity (section 3.2.3, page 22).

### 3.8 Configuring the Remote Keypad(s) ⑩⑨

From the Programming Menu, **enter ⑩⑨**. The control panel will turn on the zone lights corresponding to remote keypads (RKPs) that are currently configured and on-line, while flashing the zone lights corresponding to RKPs that are currently configured but off-line.

To update the configuration, **press (PROG)**. The control panel will scan for RKP addresses 1 to 6. As each RKP is detected the control panel will configure it as present and illuminate the zone light corresponding to its address.

To leave configuring, **press (RESET)**. If the configuration has not been updated the panel will sound an error tone. The system will automatically revert to the Programming Menu and all the zone lights will illuminate.



- 1) NEVER set two RKPs to the same address.
- 2) Setting the address of an RKP is described in the remote keypad instructions.
- 3) If an RKP is configured but off-line the system will have a tamper fault.
- 4) ALWAYS power down the control panel when wiring a remote keypad (RKP).
- 5) If an older version remote keypad has been fitted the system must be programmed for old style sounds as follows: **Enter the Engineer code (???)?, press (PROG), enter ⑩⑩, press ⑧, press (PROG), press (RESET)**.

### 3.9 Zone Types

The Zone Type of a zone determines how the system will behave when the zone is opened.

#### 3.9.1 Description of Zone Types

The *Veritas* supports eight different Zone Types as follows:

Zone Type Number	Zone Type
1	Push to Set
2	Inhibited Entry
3	Guard
4	Fire
5	Tamper
6	Entry/Exit
7	Personal Attack (Panic)
8	Keyswitch

Each zone may be programmed with one of these Zone Types which are described in the following sections:

## 3.9.1.1 Push To Set ①

Push to Set is intended to reduce false alarms due to user error when full setting the system. The user starts full set in the usual way and leaves the premises. However the system will ONLY set when an external push button is pressed. The Zone Type of the zone to which the external push button is connected must be programmed as Push to Set.



- 1) The Push to Set option must also be selected (section 3.2.3, page 22).
- 2) If the zone is set to chime (see User Guide) then the push button can double up as a door bell:
- 3) The external push button should be waterproof unless it is located in an enclosed porch.
- 4) Push to Set does not operate in part set.
- 5) Push to Set satisfies the requirements of NACP 14, Issue 1, Section 2.1.2.

## 3.9.1.2 Inhibited Entry ②

Inhibited Entry is sometimes referred to as 'intermediate entry' or 'walk through'. Opening a zone with this Zone Type when the panel is set will cause an alarm. During entry mode, activations of a zone with this Zone Type are disregarded. This Zone Type would typically be used for a hall PIR when there is a magnetic contact on the front door.

## 3.9.1.3 Guard ③

Guard zones are sometimes referred to as 'intruder' zones. Opening a zone with this Zone Type when the system is set will cause an alarm. When the control panel is unset, Guard zones are ignored. In a typical system most zones would have this Zone Type.

## 3.9.1.4 Fire ④

This Zone Type is designed specifically for smoke detectors. Zones with this Zone Type are monitored constantly even when the panel is unset. If activated they will cause a unique alarm with a distinctive 'fire' tone on the internal speaker. In addition, the external sounder will be pulsed rather than sounding continuously in contrast to a normal alarm.

## 3.9.1.5 Tamper ⑤

Zones with this Zone Type are monitored constantly even when the panel is unset. If activated they will cause an immediate alarm. The Global System Tamper zone is factory-set to this Zone Type.



Programming options allow the Tamper alarm response to be limited to the internal sounder if the system is unset or part set (section 3.2.2, page 21).

### 3.9.1.6 Entry/Exit ⑥

Opening a zone with this Zone Type when the system is set will cause the control panel to start entry mode. This Zone Type would typically be used for a front door magnetic contact or, if one is not fitted, a hall PIR.



The Final Door Set option (section 3.2.2, page 21) will cause the exit time to be reduced to 3 seconds when an Entry/Exit zone is closed during exit mode. This option would typically be used only when there is a magnetic contact on the front door.

### 3.9.1.7 Personal Attack ⑦

This Zone Type is designed specifically for panic buttons. Zones with this Zone Type are monitored constantly even when the panel is unset. If activated, they will cause an immediate alarm, sounding both the internal and external sounders.

### 3.9.1.8 Keyswitch ⑧

This Zone Type is designed specifically for key switches. Zones with this Zone Type are monitored constantly. The key switch can be used to full set, unset, silence an alarm and reset the system.



- 1) Ensure that there are no 24 Hour zones (Fire, PA and Tamper) in fault when using a key switch to reset the system.
- 2) The state of a Keyswitch zone (open or closed) is unimportant, it is the change in state (from open to closed, or vice versa) which is monitored.
- 3) Keypad PA is entered from a keypad and therefore cannot be reset by a key switch but only by entry of a valid User code.

## 3.9.2 Programming the Zone Type


Each of the eight Zone Types has an associated Zone Type number which is used when programming the Zone Type of a zone:

Zone Type Number	Zone Type
1	Push to Set
2	Inhibited Entry
3	Guard
4	Fire
5	Tamper
6	Entry/Exit
7	Personal Attack (Panic)
8	Keyswitch

To program the Zone Type of any zone **press ① followed by the zone number**. The zone light of the Zone Type number currently selected will illuminate. **Press the Zone Type number required. Press (PROG)**. The system will chime to confirm the new Zone Type has been accepted. The system will then automatically revert to the Programming Menu and all the zone lights will illuminate.

For example to program Zone 7 as a Guard zone, enter ①⑦, press ③, press **PROG.**

Key	Description
①	Program Zone Type
⑦	Zone = 7
③	Zone Type = Guard
<b>PROG.</b>	Program


 **NOTE** A zone is often referred to by its Zone Type, e.g. a zone with the PA Zone Type would be referred to as a PA zone.

### 3.9.2.1 24 Hour Zone Types

**24 Hour zones (Fire, PA and Tamper), Keyswitch zones and Push to Set zones should be monitored constantly.**

When a zone is omitted the system no longer monitors opening and closing of that zone. The Part Set Suites (section 3.15, page 35) provide a method of automatically omitting zones when the system is set. Once a zone is omitted it will not be re-included until the system is next set. It is important to ensure that 24 Hour zones (Fire, PA and Tamper), Keyswitch zones and Push to Set zones are not omitted by any of the Part Set Suites.

The system can be programmed to automatically change the Zone Type of any zone into either Exit/Entry, Inhibited Entry or Guard on part set (section 3.10, page 30). The change will persist until the system is unset. It is important to ensure that 24 Hour zones (Fire, PA and Tamper), Keyswitch zones and Push to Set zones are not changed on part set.

 **NOTE** If EN 50131-1 Requirements is selected (section 3.2.1, page 20) then omitted zones will be re-included when the system is next unset.

## 3.10 Changing Zone Types when Part Setting

The Zone Type of any zone can be made to change when the system is part set. The Zone Type can be changed into either Entry/Exit, Inhibited Entry or Guard. The change will persist until the system is next unset.

For example, the table below shows the factory settings:

Zone	Zone Type	Part Setting Changes Zone Type Into:		
		Entry/Exit ②①	Inhibited Entry ②②	Guard ②③
1	Entry/Exit			✓
2	Inhibited Entry	✓		
3	Guard			
4	Guard			
5	Guard			
6	Guard			
7	Guard			
8	Guard			

Zone 1 will change (from Entry/Exit) into Guard and Zone 2 will change (from Inhibited Entry) into Entry/Exit.



24 Hour zones (Fire, PA and Tamper), Keyswitch zones and Push to Set zones should be monitored constantly and should NOT be programmed to change when the system is part set.

### 3.10.1 Programming the Zones that will Change to Entry/Exit ②①

This suite defines the zones which will be changed into Entry/Exit zones on part set. For example the *Veritas* is factory set with Zone 2 included. Thus the Zone Type of Zone 2 will be changed (from Inhibited Entry) into Entry/Exit on part set.

**Enter ②①.** The zone lights of the zones which are currently included will illuminate. **Press the appropriate numbered button(s) of the zone(s) to be included or excluded. Press (PROG).** The system will chime to confirm that the new suite has been accepted. The system will then automatically revert to the Programming Menu and all the zone lights will illuminate.

### 3.10.2 Programming the Zones that will Change to Inhibited Entry ②②

This suite defines the zones which will be changed into Inhibited Entry zones on part set. For example the *Veritas* is factory set with no zones included. Thus no zones will be changed into Inhibited Entry.

**Enter ②②.** The zone lights of the zones which are currently included will illuminate. **Press the appropriate numbered button(s) of the zone(s) to be included or excluded. Press (PROG).** The system will chime to confirm that the new suite has been accepted. The system will then automatically revert to the Programming Menu and all the zone lights will illuminate.

### 3.10.3 Programming the Zones that will Change to Guard ②③

This suite defines the zones which will be changed into Guard zones on part set. For example the *Veritas* is factory set with Zone 1 included. Thus the Zone Type of Zone 1 will be changed (from Entry/Exit) into Guard on part set.

**Enter ②③.** The zone lights of the zones which are currently included will illuminate. **Press the appropriate numbered button(s) of the zone(s) to be included or excluded. Press (PROG).** The system will chime to confirm that the new suite has been accepted. The system will then automatically revert to the Programming Menu and all the zone lights will illuminate.

## 3.11 Programming the Date and Time



- 1) It is **ESSENTIAL** to program the current date (②⑤) and time (②⑥) for correct operation of the service timer(s).
- 2) Programming the service timers (②⑦, ②⑧, ②⑨) is prevented unless the current date (②⑤) has first been programmed.
- 3) If the panel is completely powered down it will attempt to store the current time and date in NVM and continue from this point when it is powered up.

## 3.11.1 Programming the Date ②⑤

From the Programming Menu, **enter** ②⑤. All the zone lights will turn off. **Enter the current date as a 6 digit number; Day, Day, Month, Month, Year, Year** (e.g. to program the 1st of June 1998 enter ①①①⑥⑨⑧). Zone lights 1, 2, 3, 4, 5 and 6 will illuminate in turn as each digit of the new date is entered. **Press** (PROG.). The system will chime to confirm the new date has been accepted. The system will then automatically revert to the Programming Menu and all the zone lights will illuminate.

## 3.11.2 Programming the Time ②⑥

From the Programming Menu, **enter** ②⑥. All the zone lights will turn off. **Enter the current time as a 6 digit number; Hour, Hour, Minute, Minute, Second, Second** using 24 hour format (e.g. to program 7 minutes and 3 seconds past 2pm (14:07:03) enter ①④①⑦①③). Zone lights 1, 2, 3, 4, 5 and 6 will illuminate in turn as each digit of the new time is entered. **Press** (PROG.). The system will chime to confirm the new time has been accepted. The system will then automatically revert to the Programming Menu and all the zone lights will illuminate.

## 3.12 Programming the Service Timers

The *Veritas* features three service timers designed to facilitate the convenient support of service contracts.



### Disclaimer:

It is the responsibility of the Installer to obtain prior written agreement from the Customer regarding any use of a Service Timer. Texecom accept no liability whatsoever for any dispute resulting from the use of Service Timers.

Service Timer One is designed to be used as a reminder. When it expires it turns on high level chime on all eight zones the first time the panel is set/unset.

Service Timer Two is designed to be used as a nuisance. When it expires it turns on high level chime on all eight zones every time the panel is set/unset.

Service Timer Three is designed to be used as a lockout. When it expires the panel will require an Engineer Reset (section 3.2.5, page 23).

Any one, any two, or all three timers can be programmed for the same or different dates. To disable a service timer simply program an invalid or expired date. Expired service timers are automatically cleared when an Engineer code is entered.



- 1) It is essential to program the current date (②⑤) and time (②⑥) for correct operation of the service timer(s).
- 2) Programming the service timers (②⑦, ②⑧, ②⑨) is prevented unless the current date (②⑤) has first been programmed.
- 3) The user can turn off chime globally or on individual zones but where still selected it will remain at high level until reprogrammed by an Engineer.
- 4) When Service Timer Three expires it will turn chime off.



### 3.12.1 Programming Service Timer One (Reminder) ②⑦

From the Programming Menu, **enter** ②⑦. All the zone lights will turn off. **Enter Service Timer One (Reminder) date as a 6 digit number; Day, Day, Month, Month, Year, Year** (e.g. to program the 1st of April 1999 enter ①①①④⑨⑨). Zone lights 1, 2, 3, 4, 5 and 6 will illuminate in turn as each digit of the new date is entered. **Press** (PROG.). The system will chime to confirm the new date has been accepted. The system will then automatically revert to the Programming Menu and all the zone lights will illuminate.

### 3.12.2 Programming Service Timer Two (Nuisance) ②⑧

From the Programming Menu, **enter** ②⑧. All the zone lights will turn off. **Enter Service Timer Two (Nuisance) date as a 6 digit number; Day, Day, Month, Month, Year, Year** (e.g. to program the 25th of December 2000 enter ②⑤①②①①). Zone lights 1, 2, 3, 4, 5 and 6 will illuminate in turn as each digit of the new date is entered. **Press** (PROG.). The system will chime to confirm the new date has been accepted. The system will then automatically revert to the Programming Menu and all the zone lights will illuminate.

### 3.12.3 Programming Service Timer Three (Lockout) ②⑨

From the Programming Menu, **enter** ②⑨. All the zone lights will turn off. **Enter Service Timer Three (Lockout) date as a 6 digit number; Day, Day, Month, Month, Year, Year** (e.g. to program the 1st of January 2001 enter ①①①①①①). Zone lights 1, 2, 3, 4, 5 and 6 will illuminate in turn as each digit of the new date is entered. **Press** (PROG.). The system will chime to confirm the new date has been accepted. The system will then automatically revert to the Programming Menu and all the zone lights will illuminate.

## 3.13 Programming the Times ③⑦

The system has the following six time delays and one test time which are all programmable:

Number	Time Delay
①	Full Set Exit Time (seconds)
②	Part Set Exit Time (seconds)
③	Full Set Entry Time (seconds)
④	Part Set Entry Time (seconds)
⑤	Bell Cut Off Time (minutes)
⑥	Part Set Error Tone Suspension Time (seconds)
⑨	Zone Soak Test Time (days)

To program any of the above, from the Programming Menu, **press** ③ **followed by the corresponding time delay number** (e.g. for the Part Set Entry Time, enter ③④). All the zone lights will turn off. **Enter the desired time as a two digit number** (e.g. for 5 seconds enter ①⑤). Zone 1 light will illuminate when the first digit is entered. Zone 2 light will illuminate when the second digit is entered. **Press** (PROG.). The system will chime to confirm the new time has been accepted.

The system will automatically revert to the Programming Menu and all the zone lights will illuminate.



- 1) The Bell Cut Off Time ⑤ is the length of time for which the bell sounds.
- 2) The Part Set Error Tone Suspension Time ⑥ would typically be used to suspend the error tone (indicating an open zone) to avoid disturbance when there are detectors on the part set exit route.
- 3) The Zone Soak Test Time ⑨ is used in conjunction with the Zone Soak Test Suite (section 3.15.6, page 36).
- 4) Some bell boxes have a built in timer. In this case the bell will sound for either its built in time or the programmed cut-off time, whichever is the shorter.

## 3.14 The Seven Event Basic Log

The control panel has a Seven Event Basic Log which stores the last 7 alarm activations. The zone light of the zone which first caused the alarm activation will flash, and the zone lights of any subsequently opened zones will illuminate.

### 3.14.1 Clearing the Seven Event Basic Log ④①

From the Programming Menu, **enter** ④①. All the zone lights will turn off. **Press** (PROG). The system will chime to confirm that the Seven Event Basic Log has been erased. The system will then automatically revert to the Programming Menu and all the zone lights will illuminate.

### 3.14.2 Displaying the Seven Event Basic Log ④?

From the Programming Menu, **press** ④ **followed by the number corresponding to the desired event**, ① being most recent, ⑦ being least recent (e.g. to recall the second most recent event, enter ④②). The zone light of the zone which first caused the alarm activation will flash, and the zone lights of all subsequently opened zones (if any), will illuminate.

If the Tamper light is on or flashing, an extended display reveals more information about the source of the tamper alarm(s). To toggle between the normal display and the extended display, **press** (CMPT). The extended display is distinguished from the normal display by the Unset light being off. In the extended display the zone lights are interpreted as follows:

Zone Light	Description
1	Bell Tamper (including Global System Tamper)
2	Power Supply Fault
3	Lid Tamper (including RKP Lid Tamper)
4	Not Applicable
5	RKP Off-Line
6	Code PIN Tamper
7	Keypad PA
8	Not Applicable

**Press** (RESET). The system will return to the Programming Menu and all the zone lights will illuminate.

## 3.15 Programming the Suites

The system has two Part Set Suites, a Chime Suite, a Double Knock Suite, a Manual Omit Suite, a Zone Disable Suite and a Zone Soak Test Suite all of which are programmable.

24 Hour zones (Fire, PA and Tamper), Keyswitch zones and Push to Set zones should be monitored constantly and should NOT be omitted by the Part Set Suites.

### 3.15.1 Programming the Part Set Suites ⑤ ?

A Part Set Suite defines the zones that will be automatically included and excluded (omitted) when the system is part set. To program a Part Set Suite, **press ⑤ followed by the suite number ① or ②** (e.g. to program Part Set Suite 2, enter ⑤②). The zone lights of the zones currently active in part set will illuminate (the zone lights of the omitted zones will remain off). **Press the appropriate numbered button(s) of the zone(s) to be included or excluded (omitted). Press (PROG.)**. The system will chime to confirm that the new Part Set Suite has been accepted. The system will then automatically revert to the Programming Menu and all the zone lights will illuminate.

### 3.15.2 Programming the Chime Suite ⑤ ⑤

The Chime Suite defines the zones that will be automatically included and excluded (omitted) when chime is turned on. To program the Chime Suite, **enter ⑤⑤**. The zone lights of the zones that will chime when chime is turned on will illuminate (the zone lights of the omitted zones will remain off). **Press the appropriate numbered button(s) of the zone(s) to be included or excluded. Press (PROG.)**. The system will chime to confirm that the new Chime Suite has been accepted. The system will then automatically revert to the Programming Menu and all the zone lights will illuminate.



For a description of how to turn Chime on and off see the User Guide.

### 3.15.3 Programming the Double Knock Suite ⑤ ⑦

From the Programming Menu, **enter ⑤⑦**. The zone lights of the zones currently included in the Double Knock Suite will illuminate. **Press the appropriate numbered button(s) of the zone(s) to be included or excluded. Press (PROG.)**. The system will chime to confirm the new Double Knock Suite has been accepted. The system will automatically revert to the Programming Menu and all the zone lights will illuminate.



- 1) The Double Knock Suite defines the zones that will be assigned a double knock attribute.
- 2) A zone should be assigned a double knock attribute when maximum false alarm protection is required. A zone with a double knock attribute must be activated either twice within 10 seconds or once for longer than 10 seconds in order to cause an alarm.
- 3) Double knock is not recommended for Entry/Exit zones.
- 4) Double knock will not operate with Push to Set or Keyswitch zones.
- 5) Double knock should NOT be used for Fire, Panic, or Tamper zones.

## 3.15.4 Programming the Manual Omit Suite ⑤⑧

The Manual Omit Suite defines the zones that may be manually omitted by the user. To program the Manual Omit Suite, **enter** ⑤⑧. The zone lights of the zones currently included in the Manual Omit Suite will illuminate. **Press the appropriate numbered button(s) of the zone(s) to be included or excluded.** Press (PROG). The system will chime to confirm that the new Manual Omit Suite has been accepted. The system will then automatically revert to the Programming Menu and all the zone lights will illuminate.



NOTE

- 1) To prevent the user from omitting 24 Hour zones (Fire, PA and Tamper) these would be excluded from the Manual Omit Suite.
- 2) Zones not included in the Manual Omit Suite will still be omitted if they are excluded in the Part Set Suites.

## 3.15.5 Programming the Zone Disable Suite ④⑧

The Zone Disable Suite defines the zones that are not monitored. Disabled zones cannot cause alarm. A zone could be disabled:

- if it was not used,
- while waiting for a faulty detector to be replaced.

To program the Zone Disable Suite, **enter** ④⑧. The zone lights of the zones currently included in the Zone Disable Suite will illuminate. **Press the appropriate numbered button(s) of the zone(s) to be included or excluded.** Press (PROG). The system will chime to confirm that the new Zone Disable Suite has been accepted. The system will then automatically revert to the Programming Menu and all the zone lights will illuminate.



NOTE

If a zone is disabled in this suite it will be necessary to enter the suite again to re-enable it.

## 3.15.6 Programming the Zone Soak Test Suite ④⑨



NOTE

Soak Test is used to prevent false alarms for a set period after a new installation or when a detector has been replaced. If a zone on Soak Test activates it will not cause alarm but it will still be logged. Afterwards the zone will have a standing fault and will need to be omitted before the system can be set. After the Soak Test Time (section 3.13, page 33) zones that have not activated will be automatically removed from the Soak Test Suite.

The Zone Soak Test Suite defines the zones that are on Soak Test. To program the Zone Soak Test Suite, **enter** ④⑨. The zone lights of the zones currently included in the Zone Soak Test Suite will illuminate. **Press the appropriate numbered button(s) of the zone(s) to be included or excluded. Press** (PROG.). The system will chime to confirm that the new Zone Soak Test Suite has been accepted. The system will then automatically revert to the Programming Menu and all the zone lights will illuminate.



- 1) Soak Test is not appropriate for Entry/Exit, Push to Set, or Keyswitch Zone Types and these zones will still be monitored as normal even if they are included in the Soak Test Suite.
- 2) Zones which fail Soak Test will be automatically added to the Manual Omit Suite (section 3.15.4, page 36) which should be checked after a Soak Test failure.
- 3) When the Soak Test Suite is programmed the Soak Test Time is started therefore this should be programmed first (section 3.13, page 33).
- 4) Zones that have failed Soak Test will be cleared when the Soak Test Suite is programmed.

If a Soak Test zone activates all subsequent zone activations will be logged as well. For example, zones 5, 6, 7 & 8 are on Soak Test. Zones 7 & 8 activate and are logged (zone light On). The user then returns via Zone 1, Zone 2 & Zone 3. These zones will all be logged as well but while Zone 2 & 3 lights will be On, Zone 1 light will be Flashing as this was the first non Soak Test zone to be activated.

### 3.16 Changing the Engineer Code ⑥⑩

The User Code will also allow access to the Programming Menu but 24 Hour zones are not disabled and options are restricted to Testing the Bell, Strobe & Speaker, Walk Testing and Viewing the Log.

The following procedure changes the code which was used to access the Programming Menu:

- 1) If the Programming Menu was accessed with the Engineer Code then the Engineer Code will be changed.
- 2) If the Programming Menu was accessed with the User Code then the User Code will be changed.

From the Programming Menu:

- 1) Enter 60 to select the Change Code option ⑥⑩
- 2) Enter the new 4 digit Code ②②②②
- 3) Press PROG to program the new Code (PROG.)

The system will chime & revert to the Programming Menu



The factory set Engineer Code is ①②③④.

## 4 Technical Specification

### 4.1 Power Supply

<b>Mains Supply Voltage Rating:</b>	230V <sub>AC</sub> /115V <sub>AC</sub> ( $\pm 10\%$ ) <small>see safety notes 1 &amp; 2</small>
<b>Maximum Total Current Rating:</b>	600mA <sub>DC</sub> for operation down to 207V <sub>AC</sub> /104V <sub>AC</sub> <small>see safety notes 1 &amp; 2</small>
<b>Ripple:</b>	<5%
<b>Rechargeable Battery Type:</b>	12V Sealed lead acid gel type <small>see safety notes 3, 4 &amp; 5</small>

### 4.2 Physical

<b>Rechargeable Battery Capacity</b>	
<i>Veritas 8 Compact:</i>	1.2 to 2.1Ah <small>see safety notes 3, 4 &amp; 5</small>
<i>Veritas 8 &amp; Veritas R8:</i>	1.2 to 7.0Ah <small>see safety notes 3, 4 &amp; 5</small>
<b>Dimensions</b>	
<i>Veritas 8 Compact:</i>	246mm x 185mm x 55mm
<i>Veritas 8 &amp; Veritas R8:</i>	282mm x 225mm x 80mm

### 4.3 Environmental

<b>Operating Temperature:</b>	-10°C (14°F) to 50°C (122°F)
<b>Storage Temperature:</b>	-20°C (-4°F) to 60°C (140°F)
<b>Maximum Humidity:</b>	95% non-condensing <small>see safety note 6</small>
<b>EMC Environment:</b>	Residential/Commercial/ Light Industrial or Industrial

### 4.4 Electrical

<b>Current Consumption</b>	
Quiescent Current:	<50mA
Alarm Current:	<150mA
<b>Bell Saturation Voltage:</b>	<1.0V <sub>DC</sub> at 1.6A
<b>Strobe Saturation Voltage:</b>	<1.0V <sub>DC</sub> at 1.6A
<b>SW +Ve Output</b>	
When Low:	<1.0V <sub>DC</sub> at 1.6A
When High:	12V via 1k $\Omega$
<b>Positive Loop Thresholds (Zones 1 - 8)</b>	
Minimum Open Resistance:	70k $\Omega$
Maximum Closed Resistance:	10k $\Omega$
<b>Negative Loop Threshold (Global Tamper)</b>	
Minimum Open Resistance:	110k $\Omega$
Maximum Closed Resistance:	20k $\Omega$
<b>Extension Speakers:</b>	Minimum load 4 $\Omega$

## 4.5 Fuses

A spare mains fuse is supplied in a clip adjacent to the mains terminal block. see safety note 7  
 Spare PCB fuses are supplied in a press-seal bag. see safety notes 7 & 8

<b>Mains 230V<sub>AC</sub>:</b>	T125mA, 250V, 20mm <small>see safety note 7</small>
<b>Mains 115V<sub>AC</sub>:</b>	T250mA, 250V, 20mm <small>see safety note 7</small>
<b>F1 (Battery Fuse):</b>	F1A, 250V, 20mm <small>see safety note 7</small>
<b>F2 (Bell &amp; Strobe Fuse):</b>	F1A, 250V, 20mm <small>see safety note 7</small>
<b>F3 (L/S &amp; Detector Auxiliary Fuse):</b>	F500mA, 250V, 20mm <small>see safety note 7</small>
<b>F4 (RKP Auxiliary Fuse):</b>	F500mA, 250V, 20mm <small>see safety note 7</small>
<b>F5 (Power Supply Output Fuse):</b>	F1.6A, 250V, 20mm <small>see safety note 7</small>

## 4.6 Miscellaneous

### Internal Speaker (50mm, 16Ω)

Low Level Volume:	Adjustable
High Level Volume:	>90dB at 1m

### Loop Response Time

Minimum:	>200ms
Maximum:	<800ms

**Remote Keypads:** Up to 6

## 4.7 Safety Notes



- 1) Mains voltage is factory set and not adjustable - see label on transformer.
- 2) Removal of the transformer is prohibited and will invalidate the warranty.
- 3) Only use batteries of the specified type.
- 4) Dispose of used batteries safely according to the manufacturer's instructions.
- 5) Locate the battery inside the panel in the space provided.
- 6) This equipment is designed for dry indoor use only.
- 7) When replacing a fuse always observe the specified rating and type - failure to do so is dangerous and will invalidate the warranty. Fuses should comply with IEC 127.
- 8) The press-seal bag must NOT be stored inside the panel.

### 4.8 European Standards

Conforms to European Union (EU) Low Voltage Directive (LVD) 73/23/EEC (amended by 93/68/EEC) and Electro-Magnetic Compatibility (EMC) Directive 89/336/EEC (amended by 92/31/EEC and 93/68/EEC).

The CE mark indicates that this product complies with the European requirements for safety, health, environmental and customer protection.

#### 4.8.1 EN 50131

In order to comply with EN 50131-1 several functional changes may be invoked using Miscellaneous Selections Zero, Option 5 (section 3.2.1, page 20). In addition the following points should be noted:

- In order to comply with EN 50131-1 Engineer access must first be authorised by a user, therefore Installer codes will only be accepted when the system is unset. If additional restriction is required then Engineer access may be time limited to the first 30 seconds after the system is unset (section 3.2.1, page 20).
- In order to comply with EN 50131-1 neither Internals Only on Part Set Zone Alarm nor Internals Only on Part Set Tamper Alarm should be selected (section 3.2.2, page 21).
- In order to comply with EN 50131-1 Single Button Setting should not be selected (section 3.2.1, page 20).
- In order to comply with EN 50131-1:
  - do not fit more than 10 unpowered detectors per zone,
  - do not fit more than one non-latching powered detector per zone,
  - do not mix unpowered detectors and non-latching powered detectors on a zone.
- In order to comply with EN 50131-1 the Entry Time should not be programmed to more than 45 seconds (section 3.13, page 33).
- In order to comply with EN 50131-1 the Bell Cut-Off Time should be programmed between 02 and 15 minutes (section 3.13, page 33).
- EN 50131-1 requires that detector activation LEDs shall only be enabled during Walk Test. This is most conveniently achieved by using detectors with a Remote LED Disable input (e.g. the Texecom *Rf360*, *Rf650* & *RfExtreme* PIRs) connected to the panel SW+ output, programmed to operate during Walk Test (section 3.7, page 26).
- EN 50131-6 requires that the power supply output ripple should not exceed 5% at mains voltages down to 207V<sub>AC</sub>. This limits the maximum rated output of the power supply to 600mA. The power supply can supply more than this at higher mains voltages or if greater ripple is accepted, for example at 230V<sub>AC</sub> the power supply can deliver up to 1A.
- The standby time is the time for which the system power supply is capable of supplying its rated output current when running on battery only (i.e. in the event of mains failure). In order to comply with EN 50131-1 the standby time should be at least 8 hours for Grade 1 Systems and at least 15 hours for Grade 2 Systems. In order to comply with EN 50131-6 the Standby Time should be at least 12 hours for both Grade 1 and 2 Systems.



For smaller battery sizes this means that the rated output of the power supply will actually be determined by the capacity of the standby battery and will be less than the power supply is capable of supplying (with the mains on). The rated output of the power supply may be calculated by dividing the capacity of the battery by the required standby time where the result is smaller than the maximum rated output of 600mA.

Rated output currents for typical battery sizes are shown in the following table:

		Standby Time		
		8hrs	12hrs	15hrs
Battery Capacity	1.2Ah	150mA	100mA	80mA
	2.1Ah	263mA	175mA	140mA
	3.0Ah	375mA	250mA	200mA
	7.0Ah	600mA	583mA	467mA



- 1) Engineer Reset prevents the user from resetting the system. It is not in itself a method of resetting the system.
- 2) EN 50131-1 separately defines Zone Inhibit and Zone Isolate optional facilities. The Zone Omit facility supported by the *Veritas* corresponds to Inhibit. The Zone Disable facility supported by the *Veritas* corresponds to Isolate.
- 3) When the battery voltage falls below the minimum system operating voltage it will be indicated as a power fault if the mains is on and will cause alarm if the mains is off.
- 4) The *Veritas* Reset facility corresponds to the EN 50131-1 Restore function.
- 5) EN 50131-6 states that for integrated power supplies the environmental and tamper considerations of the control panel should be applied.

## 4.9 Warranty

All Texecom products are designed for reliable, trouble-free operation. Quality is carefully monitored by extensive computerised testing. As a result the *Veritas* is covered by a two year warranty against defects in material or workmanship (details on request).

As the *Veritas* is not a complete alarm system but only a part thereof, Texecom cannot accept responsibility or liability for any damages whatsoever based on a claim that the *Veritas* failed to function correctly. Due to our policy of continuous improvement Texecom reserve the right to change specification without prior notice.

*Veritas* is a trademark of Texecom Ltd.

# 5 Installation Records

## 5.1 Installation Details

Installation Engineer: \_\_\_\_\_  
Installation Company: \_\_\_\_\_  
Address: \_\_\_\_\_  
\_\_\_\_\_  
\_\_\_\_\_  
Telephone: \_\_\_\_\_  
Installation Date: \_\_\_\_\_

Zone	Zone Type	Area Protected	Low Loop Resistance (Clear)	High Loop Resistance (Fault)
1				
2				
3				
4				
5				
6				
7				
8				

 The Instructions **MUST NOT** be Stored inside the Control Panel.

## 5.2 Maintenance & Call-Out Record

Date/Time	Reason for Site Visit	Work Carried Out	Name of Engineer

 The User Guide contains **ESSENTIAL SAFETY INFORMATION** & **MUST** be given to the user.

### 5.3 Registered Installer Application Form



- 1) Partly Completed Forms CANNOT be accepted.
- 2) Please use Black Ink and Block Capitals.

Name: \_\_\_\_\_ Position: \_\_\_\_\_  
 Company: \_\_\_\_\_ Fax: \_\_\_\_\_  
 Tel: \_\_\_\_\_ E-Mail: \_\_\_\_\_  
 Mobile: \_\_\_\_\_ Web Site: \_\_\_\_\_  
 Address: \_\_\_\_\_  
 \_\_\_\_\_  
 \_\_\_\_\_ POSTCODE: \_\_\_\_\_

Which Distributors do you buy from? (Indicate at least one).

1	
2	
3	

How many Intruder Alarm Systems do you install on average each month?

How many of the following Texecom products do you currently install each month?

Detectors:

Control panels:

External Sounder and Strobe Units:

Batteries:

Cameras:

Accessories:

**UK installers: Fax back to 01706 213187 or post to the address overleaf.  
 International installers: Fax back to 44 161 8815147.**

**Alternatively register online at [www.texecom.com](http://www.texecom.com)**

**There's only ONE way to get**

**FREE**

**TECHNICAL SUPPORT...**

**REGISTER!**

**And receive the following exclusive benefits:**

- **Access to the Secure Area of the Texecom Website**
  - **Freephone Technical Helpline\***
    - **Free Product Voucher\***
    - **Free Product Training\***
  - **Latest Product Information**

**Register online at [www.texe.com](http://www.texe.com) or simply complete the form on the reverse of this page and return it to Texecom to become a Registered Texecom Installer.**

**\*Available to UK registered Installers only.**

**Texecom**

Texecom Limited. Bradwood Court, St. Crispin Way, Haslingden,  
Lancashire BB4 4PW.

Website: [www.texe.com](http://www.texe.com)

Technical Support (non-registered installers)

0891 617117

Calls charged at 50p per minute

INS034-10